

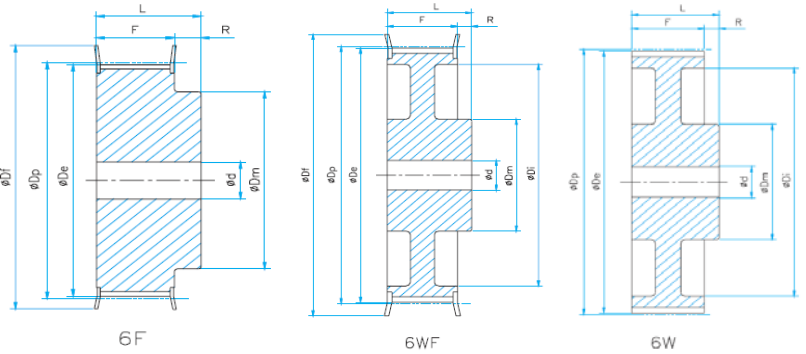
## Timing Pulley H 075

12.7mm Pitch

Note:

- 1, Setscrew hole available with request;
- 2, Center hole provided if there is no bore size listed;
- 3, Flange dimension: O.D.x I.D.x Thickness.

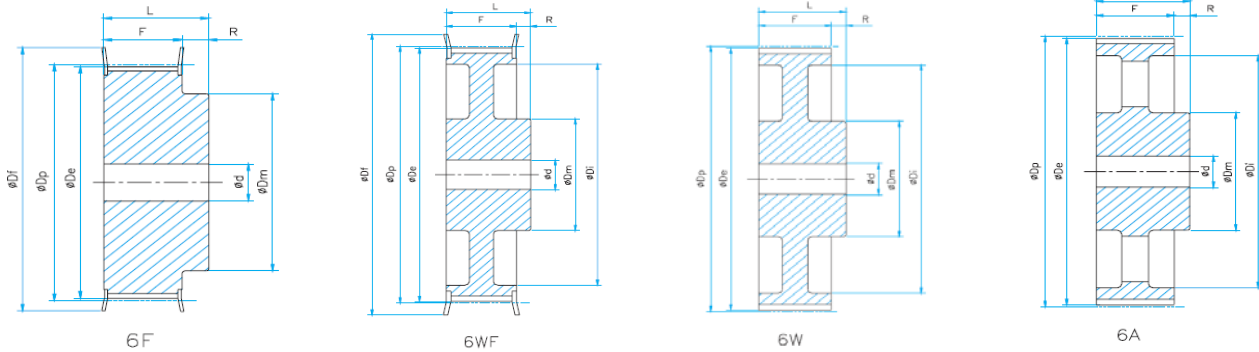
\*All dimensions are mm



Part No.	Teeth No.	Config.	Material	Dp	De	Df	Hub Dia. Dm	Di	Width F	Length L	Bore d	Flange Dimension	
14 H 075	14	6F	STEEL	56.60	55.22	64	40	-	26.4	40	8	64.0x47.0x1.5	
15 H 075	15	6F		60.64	59.27	66.5	45	-	26.4	40	8	66.5x53.0x1.5	
16 H 075	16	6F		64.68	63.31	70	45	-	26.4	40	8	70.0x53.0x1.5	
17 H 075	17	6F		68.72	67.35	75	45	-	26.4	40	8	75.0x57.0x1.5	
18 H 075	18	6F		72.77	71.39	79	55	-	26.4	40	11	79.0x60.0x1.5	
19 H 075	19	6F		76.81	75.44	82.5	60	-	26.4	40	11	82.5x64.0x1.5	
20 H 075	20	6F		80.85	79.48	87	62	-	26.4	40	11	87.0x72.0x1.5	
21 H 075	21	6F		84.89	83.52	91	65	-	26.4	40	11	91.0x73.0x1.5	
22 H 075	22	6F		88.94	87.56	94	68	-	26.4	40	11	94.0x76.0x1.5	
23 H 075	23	6F		92.98	91.61	97	72	-	26.4	40	11	97.0x79.0x1.5	
24 H 075	24	6F		97.02	95.65	102	72	-	26.4	40	11	102.0x82.5x1.5	
25 H 075	25	6F		101.06	99.69	106	72	-	26.4	40	11	106.0x86.0x1.5	
26 H 075	26	6F		105.11	103.73	112	80	-	26.4	40	11	112.0x91.0x1.5	
27 H 075	27	6F		109.15	107.78	115	80	-	26.4	40	11	115.0x94.0x1.5	
28 H 075	28	6F		113.19	111.82	120	80	-	26.4	40	11	120.0x99.5x1.5	
29 H 075	29	6F		117.23	115.86	120	80	-	26.4	40	11	128.0x107.0x1.5	
30 H 075	30	6F		121.28	119.90	128	80	-	26.4	40	11	128.0x107.0x1.5	
32 H 075	32	6F		129.36	127.99	135	80	-	26.4	40	11	135.0x115.0x1.5	
33 H 075	33	6F		133.40	132.03	142	80	-	26.4	40	11	142.0x120.0x1.5	
34 H 075	34	6F		137.45	136.07	142	80	-	26.4	40	11	142.0x120.0x1.5	
35 H 075	35	6F		141.49	140.12	150	80	-	26.4	40	11	150.0x130.0x1.5	
36 H 075	36	6F		145.53	144.16	150	80	-	26.4	40	11	150.0x130.0x1.5	
38 H 075	38	6F		153.62	152.24	158	80	-	26.4	40	11	158.0x138.5x1.5	
40 H 075	40	6F		161.70	160.33	168	80	-	26.4	40	11	168.0x148.0x1.5	
42 H 075	42	6F		169.79	168.41	180	80	-	26.4	40	11	180.0x154.0x1.5	
44 H 075	44	6WF		CAST IRON	177.87	176.50	184	80	150	26.4	40	14	184.0x162.0x1.5
45 H 075	45	6WF			181.91	180.54	192	80	154	26.4	40	14	192.0x165.0x1.5
48 H 075	48	6WF			194.04	192.67	200	90	166	26.4	40	14	200.0x180.0x1.5
49 H 075	49	6W			198.08	196.71	-	90	170	26.4	40	14	-
50 H 075	50	6W			202.13	200.75	-	90	174	26.4	40	14	-

## Timing Pulley H 100

12.7mm Pitch



\*All dimensions are mm

Part No.	Teeth No.	Config.	Material	Dp	De	Df	Hub Dia. Dm	Di	Width F	Length L	Bore d	Flange Dimension
14 H 100	14	6F	STEEL	56.60	55.22	64	40	-	31.8	45	11	64.0x47.0x1.5
15 H 100	15	6F		60.64	59.27	66.5	45	-	31.8	45	11	66.5x53.0x1.5
16 H 100	16	6F		64.68	63.31	70	45	-	31.8	45	11	70.0x53.0x1.5
17 H 100	17	6F		68.72	67.35	75	45	-	31.8	45	11	75.0x57.0x1.5
18 H 100	18	6F		72.77	71.39	79	55	-	31.8	45	14	79.0x60.0x1.5
19 H 100	19	6F		76.81	75.44	82.5	60	-	31.8	45	14	82.5x64.0x1.5
20 H 100	20	6F		80.85	79.48	87	62	-	31.8	45	14	87.0x72.0x1.5
21 H 100	21	6F		84.89	83.52	91	65	-	31.8	45	14	91.0x73.0x1.5
22 H 100	22	6F		88.94	87.56	94	68	-	31.8	45	14	94.0x76.0x1.5
23 H 100	23	6F		92.98	91.61	97	72	-	31.8	45	14	97.0x79.0x1.5
24 H 100	24	6F		97.02	95.65	102	72	-	31.8	45	14	102.0x82.5x1.5
25 H 100	25	6F		101.06	99.69	106	72	-	31.8	45	14	106.0x86.0x1.5
26 H 100	26	6F		105.11	103.73	112	80	-	31.8	45	14	112.0x91.0x1.5
27 H 100	27	6F		109.15	107.78	115	80	-	31.8	45	14	115.0x94.0x1.5
28 H 100	28	6F		113.19	111.82	120	80	-	31.8	45	14	120.0x99.5x1.5
29 H 100	29	6F		117.23	115.86	120	80	-	31.8	45	14	128.0x107.0x1.5
30 H 100	30	6F		121.28	119.90	128	80	-	31.8	45	14	128.0x107.0x1.5
32 H 100	32	6F		129.36	127.99	135	80	-	31.8	45	14	135.0x115.0x1.5
33 H 100	33	6F		133.40	132.03	142	80	-	31.8	45	14	142.0x120.0x1.5
34 H 100	34	6F		137.45	136.07	142	80	-	31.8	45	14	142.0x120.0x1.5
35 H 100	35	6F		141.49	140.12	150	80	-	31.8	45	14	150.0x130.0x1.5
36 H 100	36	6WF		145.53	144.16	150	80	-	31.8	45	14	150.0x130.0x1.5
38 H 100	38	6WF		153.62	152.24	158	80	-	31.8	45	14	158.0x138.5x1.5
40 H 100	40	6WF		161.70	160.33	168	80	-	31.8	45	14	168.0x148.0x1.5
42 H 100	42	6WF		169.79	168.41	180	80	-	31.8	45	14	180.0x154.0x1.5
44 H 100	44	6WF		177.87	176.50	184	80	150	31.8	50	14	184.0x162.0x1.5
45 H 100	45	6WF		181.91	180.54	192	80	154	31.8	50	14	192.0x165.0x1.5
48 H 100	48	6WF		194.04	192.67	200	90	166	31.8	50	14	200.0x180.0x1.5
49 H 100	49	6W		198.08	196.71	-	90	170	31.8	50	19	-
50 H 100	50	6W		202.13	200.75	-	90	174	31.8	50	19	-



# Chengdu Leno Machinery Co., Ltd

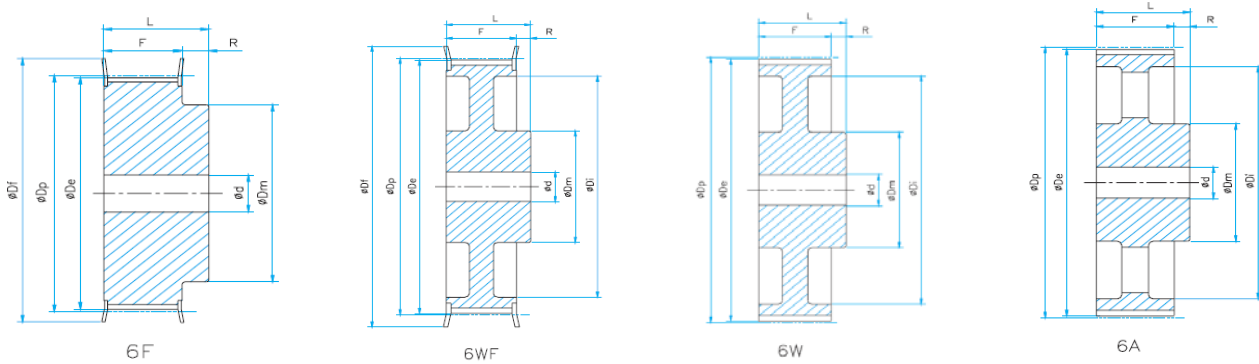
Part No.	Teeth No.	Config.	Material	Dp	De	Df	Hub Dia. Dm	Di	Width F	Length L	Bore d	Flange Dimension
52 H 100	52	6W	CAST IRON	210.21	208.84	-	90	182	31.8	50	19	-
58 H 100	58	6A		234.47	233.09	-	90	207	31.8	50	19	-
60 H 100	60	6A		242.55	241.18	-	90	215	31.8	50	19	-
70 H 100	70	6A		282.98	281.61	-	100	255	31.8	55	19	-
72 H 100	72	6A		291.06	289.69	-	100	263	31.8	55	19	-
82 H 100	82	6A		331.49	330.12	-	100	304	31.8	55	19	-
84 H 100	84	6A		339.57	338.20	-	100	312	31.8	55	19	-
94 H 100	94	6A		380.00	378.63	-	120	352	31.8	60	19	-
96 H 100	96	6A		388.08	386.71	-	120	360	31.8	60	19	-
106 H 100	106	6A		428.51	427.14	-	120	401	31.8	60	19	-
116 H 100	116	6A		468.93	467.56	-	120	441	31.8	60	19	-
118 H 100	118	6A		477.02	475.65	-	120	449	31.8	60	19	-
120 H 100	120	6A		485.10	483.73	-	120	458	31.8	60	19	-
150 H 100	150	6A		606.38	605.01	-	120	579	31.8	60	19	-
152 H 100	152	6A		614.47	613.09	-	120	587	31.8	60	19	-
154 H 100	154	6A		622.55	621.18	-	120	595	31.8	60	19	-
156 H 100	156	6A	630.64	629.26	-	120	603	31.8	60	19	-	

Note:

- 1, Setscrew hole available with request;
- 2, Center hole provided if there is no bore size listed;
- 3, Flange dimension: O.D.x I.D.x Thickness.

## Timing Pulley H 150

12.7mm Pitch



\*All dimensions are mm

Part No.	Teeth No.	Config.	Material	Dp	De	Df	Hub Dia. Dm	Di	Width F	Length L	Bore d	Flange Dimension	
14 H 150	14	6F	STEEL	56.60	55.22	64	40	-	46	58	11	64.0x47.0x1.5	
15 H 150	15	6F		60.64	59.27	66.5	45	-	46	58	11	66.5x53.0x1.5	
16 H 150	16	6F		64.68	63.31	70	45	-	46	58	11	70.0x53.0x1.5	
17 H 150	17	6F		68.72	67.35	75	45	-	46	58	11	75.0x57.0x1.5	
18 H 150	18	6F		72.77	71.39	79	55	-	46	58	14	79.0x60.0x1.5	
19 H 150	19	6F		76.81	75.44	82.5	60	-	46	58	14	82.5x64.0x1.5	
20 H 150	20	6F		80.85	79.48	87	62	-	46	58	14	86.0x68.0x1.5	
21 H 150	21	6F		84.89	83.52	91	65	-	46	58	14	91.0x73.0x1.5	
22 H 150	22	6F		88.94	87.56	94	68	-	46	58	14	94.0x76.0x1.5	
23 H 150	23	6F		92.98	91.61	97	72	-	46	58	14	97.0x79.0x1.5	
24 H 150	24	6F		97.02	95.65	102	72	-	46	58	14	102.0x82.5x1.5	
25 H 150	25	6F		101.06	99.69	106	72	-	46	58	14	106.0x86.0x1.5	
26 H 150	26	6F		105.11	103.73	112	80	-	46	58	14	112.0x91.0x1.5	
27 H 150	27	6F		109.15	107.78	115	80	-	46	58	14	115.0x94.0x1.5	
28 H 150	28	6F		113.19	111.82	120	80	-	46	58	14	120.0x99.5x1.5	
29 H 150	29	6F		117.23	115.86	120	80	-	46	58	14	128.0x107.0x1.5	
30 H 150	30	6F		121.28	119.90	128	80	-	46	58	14	128.0x107.0x1.5	
32 H 150	32	6F		129.36	127.99	135	80	-	46	58	14	135.0x115.0x1.5	
33 H 150	33	6F		133.40	132.03	142	80	-	46	58	14	142.0x120.0x1.5	
34 H 150	34	6F		137.45	136.07	142	80	-	46	58	14	142.0x120.0x1.5	
35 H 150	35	6F		141.49	140.12	150	80	-	46	58	14	150.0x130.0x1.5	
36 H 150	36	6WF		145.53	144.16	150	80	118	46	58	14	150.0x130.0x1.5	
38 H 150	38	6WF		153.62	152.24	158	80	126	46	58	14	158.0x138.5x1.5	
40 H 150	40	6WF		161.70	160.33	168	80	134	46	58	14	168.0x148.0x1.5	
42 H 150	42	6WF		169.79	168.41	180	80	140	46	58	19	180.0x154.0x1.5	
44 H 150	44	6WF		CAST IRON	177.87	176.50	184	80	150	46	58	19	184.0x162.0x1.5
45 H 150	45	6WF			181.91	180.54	192	80	154	46	58	19	192.0x165.0x1.5
48 H 150	48	6WF			194.04	192.67	200	90	166	46	65	19	200.0x180.0x1.5
49 H 150	49	6W			198.08	196.71	-	90	170	46	65	19	-
50 H 150	50	6W			202.13	200.75	-	90	174	46	65	19	-



# Chengdu Leno Machinery Co., Ltd

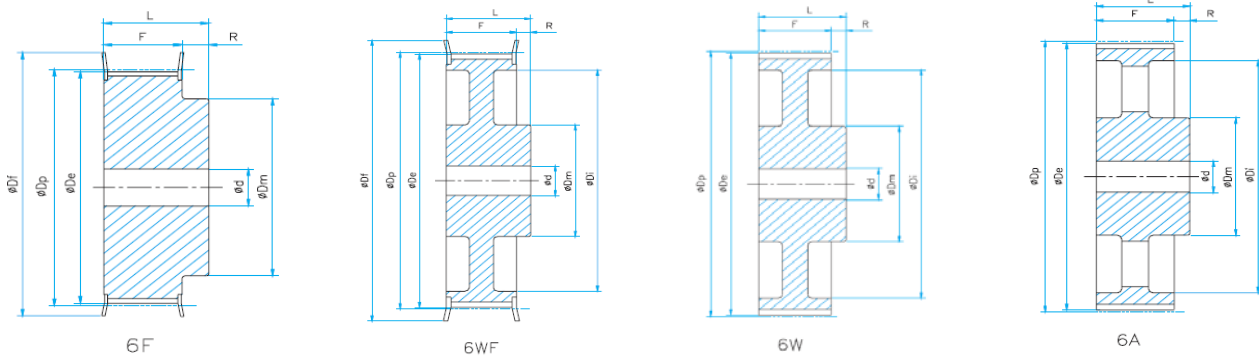
Part No.	Teeth No.	Config.	Material	Dp	De	Df	Hub Dia. Dm	Di	Width F	Length L	Bore d	Flange Dimension
52 H 150	52	6W	CAST IRON	210.21	208.84	-	90	182	46	65	19	-
58 H 150	58	6A		234.47	233.09	-	90	207	46	65	19	-
60 H 150	60	6A		242.55	241.18	-	90	215	46	65	19	-
70 H 150	70	6A		282.98	281.61	-	100	255	46	65	24	-
72 H 150	72	6A		291.06	289.69	-	100	263	46	65	24	-
82 H 150	82	6A		331.49	330.12	-	100	304	46	65	24	-
84 H 150	84	6A		339.57	338.20	-	100	312	46	65	24	-
94 H 150	94	6A		380.00	378.63	-	120	352	46	65	24	-
96 H 150	96	6A		388.08	386.71	-	120	360	46	65	24	-
106 H 150	106	6A		428.51	427.14	-	120	401	46	65	24	-
116 H 150	116	6A		468.93	467.56	-	120	441	46	65	24	-
118 H 150	118	6A		477.02	475.65	-	120	449	46	65	24	-
120 H 150	120	6A		485.10	483.73	-	120	458	46	65	24	-
150 H 150	150	6A		606.38	605.01	-	120	579	46	65	24	-
152 H 150	152	6A		614.47	613.09	-	120	587	46	65	24	-
154 H 150	154	6A		622.55	621.18	-	120	595	46	65	24	-
156 H 150	156	6A	630.64	629.26	-	120	603	46	65	24	-	

Note:

- 1, Setscrew hole available with request;
- 2, Center hole provided if there is no bore size listed;
- 3, Flange dimension: O.D.x I.D.x Thickness.

## Timing Pulley H 200

12.7mm Pitch



\*All dimensions are mm

Part No.	Teeth No.	Config.	Material	Dp	De	Df	Hub Dia. Dm	Di	Width F	Length L	Bore d	Flange Dimension
14 H 200	14	6F	STEEL	56.60	55.22	64	40	-	58.7	70	11	64.0x47.0x1.5
15 H 200	15	6F		60.64	59.27	66.5	45	-	58.7	70	11	66.5x53.0x1.5
16 H 200	16	6F		64.68	63.31	70	45	-	58.7	70	11	70.0x53.0x1.5
17 H 200	17	6F		68.72	67.35	75	45	-	58.7	70	11	75.0x57.0x1.5
18 H 200	18	6F		72.77	71.39	79	55	-	58.7	70	14	79.0x60.0x1.5
19 H 200	19	6F		76.81	75.44	82.5	60	-	58.7	70	14	82.5x64.0x1.5
20 H 200	20	6F		80.85	79.48	87	62	-	58.7	70	14	87.0x72.0x1.5
21 H 200	21	6F		84.89	83.52	91	65	-	58.7	70	14	91.0x73.0x1.5
22 H 200	22	6F		88.94	87.56	94	68	-	58.7	70	14	94.0x76.0x1.5
23 H 200	23	6F		92.98	91.61	97	72	-	58.7	70	14	97.0x79.0x1.5
24 H 200	24	6F		97.02	95.65	102	72	-	58.7	70	14	102.0x82.5x1.5
25 H 200	25	6F		101.06	99.69	106	72	-	58.7	70	14	106.0x86.0x1.5
26 H 200	26	6F		105.11	103.73	112	80	-	58.7	70	14	112.0x91.0x1.5
27 H 200	27	6F		109.15	107.78	115	80	-	58.7	70	14	115.0x94.0x1.5
28 H 200	28	6F		113.19	111.82	120	80	-	58.7	70	14	120.0x99.5x1.5
29 H 200	29	6F		117.23	115.86	120	80	-	58.7	70	14	128.0x107.0x1.5
30 H 200	30	6F		121.28	119.90	128	80	-	58.7	70	14	128.0x107.0x1.5
32 H 200	32	6F		129.36	127.99	135	80	-	58.7	70	14	135.0x115.0x1.5
33 H 200	33	6F		133.40	132.03	142	80	-	58.7	70	14	142.0x120.0x1.5
34 H 200	34	6F		137.45	136.07	142	80	-	58.7	70	14	142.0x120.0x1.5
35 H 200	35	6F		141.49	140.12	150	80	-	58.7	70	14	150.0x130.0x1.5
36 H 200	36	6WF		145.53	144.16	150	80	118	58.7	70	14	150.0x130.0x1.5
38 H 200	38	6WF		153.62	152.24	158	80	126	58.7	70	14	158.0x138.5x1.5
40 H 200	40	6WF		161.70	160.33	168	80	134	58.7	70	14	168.0x148.0x1.5
42 H 200	42	6WF		169.79	168.41	180	80	140	58.7	70	19	180.0x154.0x1.5
44 H 200	44	6WF		177.87	176.50	184	80	150	58.7	70	19	184.0x162.0x1.5
45 H 200	45	6WF		181.91	180.54	192	80	154	58.7	70	19	192.0x165.0x1.5
48 H 200	48	6WF		194.04	192.67	200	90	166	58.7	75	24	200.0x180.0x1.5
49 H 200	49	6W		198.08	196.71	-	90	170	58.7	75	24	-
50 H 200	50	6W		202.13	200.75	-	90	174	58.7	75	24	-



# Chengdu Leno Machinery Co., Ltd

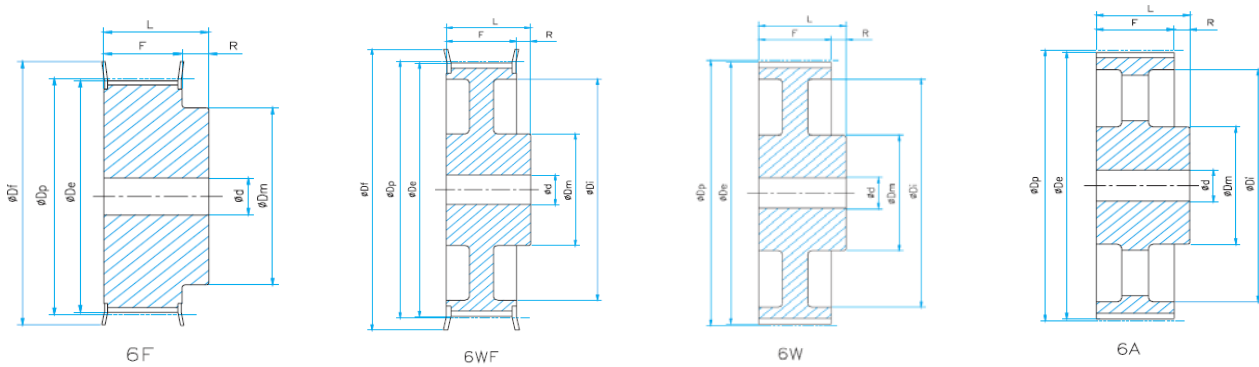
Part No.	Teeth No.	Config.	Material	Dp	De	Df	Hub Dia. Dm	Di	Width F	Length L	Bore d	Flange Dimension
52 H 200	52	6W	CAST IRON	210.21	208.84	-	90	182	58.7	75	24	-
58 H 200	58	6A		234.47	233.09	-	90	207	58.7	75	24	-
60 H 200	60	6A		242.55	241.18	-	90	215	58.7	75	24	-
70 H 200	70	6A		282.98	281.61	-	100	255	58.7	75	28	-
72 H 200	72	6A		291.06	289.69	-	100	263	58.7	75	28	-
82 H 200	82	6A		331.49	330.12	-	100	304	58.7	75	28	-
84 H 200	84	6A		339.57	338.20	-	100	312	58.7	75	28	-
94 H 200	94	6A		380.00	378.63	-	120	352	58.7	75	28	-
96 H 200	96	6A		388.08	386.71	-	120	360	58.7	75	28	-
106 H 200	106	6A		428.51	427.14	-	120	401	58.7	75	28	-
116 H 200	116	6A		468.93	467.56	-	120	441	58.7	75	28	-
118 H 200	118	6A		477.02	475.65	-	120	449	58.7	75	28	-
120 H 200	120	6A		485.10	483.73	-	120	458	58.7	75	28	-
150 H 200	150	6A		606.38	605.01	-	120	579	58.7	75	28	-
152 H 200	152	6A		614.47	613.09	-	120	587	58.7	75	28	-
154 H 200	154	6A		622.55	621.18	-	120	595	58.7	75	28	-
156 H 200	156	6A	630.64	629.26	-	120	603	58.7	75	28	-	

Note:

- 1, Setscrew hole available with request;
- 2, Center hole provided if there is no bore size listed;
- 3, Flange dimension: O.D.x I.D.x Thickness.

## Timing Pulley H 300

12.7mm Pitch



\*All dimensions are mm

Part No.	Teeth No.	Config.	Material	Dp	De	Df	Hub Dia. Dm	Di	Width F	Length L	Bore d	Flange Dimension	
14 H 300	14	6F	STEEL	56.60	55.22	64	40	-	85.7	100	11	64.0x47.0x1.5	
15 H 300	15	6F		60.64	59.27	66	45	-	85.7	100	11	66.5x53.0x1.5	
16 H 300	16	6F		64.68	63.31	70	45	-	85.7	100	11	70.0x53.0x1.5	
17 H 300	17	6F		68.72	67.35	75	45	-	85.7	100	11	75.0x57.0x1.5	
18 H 300	18	6F		72.77	71.39	79	55	-	85.7	100	19	79.0x60.0x1.5	
19 H 300	19	6F		76.81	75.44	83	60	-	85.7	100	19	82.5x64.0x1.5	
20 H 300	20	6F		80.85	79.48	87	62	-	85.7	100	19	86.0x68.0x1.5	
21 H 300	21	6F		84.89	83.52	91	65	-	85.7	100	19	91.0x73.0x1.5	
22 H 300	22	6F		88.94	87.56	94	68	-	85.7	100	19	94.0x76.0x1.5	
23 H 300	23	6F		92.98	91.61	97	72	-	85.7	100	19	97.0x79.0x1.5	
24 H 300	24	6F		97.02	95.65	102	72	-	85.7	100	19	102.0x82.5x1.5	
25 H 300	25	6F		101.06	99.69	106	72	-	85.7	100	19	106.0x86.0x1.5	
26 H 300	26	6F		105.11	103.73	112	80	-	85.7	100	19	112.0x91.0x1.5	
27 H 300	27	6F		109.15	107.78	115	80	-	85.7	100	19	115.0x94.0x1.5	
28 H 300	28	6F		113.19	111.82	120	80	-	85.7	100	19	120.0x99.5x1.5	
29 H 300	29	6F		117.23	115.86	123	80	-	85.7	100	19	128.0x107.0x1.5	
30 H 300	30	6F		121.28	119.90	128	80	-	85.7	100	19	128.0x107.0x1.5	
32 H 300	32	6F		129.36	127.99	135	80	-	85.7	100	19	135.0x115.0x1.5	
33 H 300	33	6F		133.40	132.03	142	80	-	85.7	100	19	142.0x120.0x1.5	
34 H 300	34	6F		137.45	136.07	142	80	-	85.7	100	19	142.0x120.0x1.5	
35 H 300	35	6F		141.49	140.12	150	80	-	85.7	100	19	150.0x130.0x1.5	
36 H 300	36	6WF		145.53	144.16	150	80	118	85.7	100	19	150.0x130.0x1.5	
38 H 300	38	6WF		153.62	152.24	158	80	126	85.7	100	19	158.0x138.5x1.5	
40 H 300	40	6WF		161.70	160.33	168	80	134	85.7	100	19	168.0x148.0x1.5	
42 H 300	42	6WF		169.79	168.41	175	80	140	85.7	100	24	180.0x154.0x1.5	
44 H 300	44	6WF		CAST IRON	177.87	176.50	184	80	150	85.7	100	24	184.0x162.0x1.5
45 H 300	45	6WF			181.91	180.54	192	80	154	85.7	100	24	192.0x165.0x1.5
48 H 300	48	6WF			194.04	192.67	200	90	166	85.7	100	24	200.0x180.0x1.5
49 H 300	49	6W			198.08	196.71	-	90	170	85.7	100	24	-
50 H 300	50	6W			202.13	200.75	-	90	174	85.7	100	24	-





# Chengdu Leno Machinery Co., Ltd

Part No.	Teeth No.	Config.	Material	Dp	De	Df	Hub Dia. Dm	Di	Width F	Length L	Bore d	Flange Dimension
52 H 300	52	6W	CAST IRON	210.21	208.84	-	90	182	85.7	100	24	-
58 H 300	58	6A		234.47	233.09	-	90	207	85.7	100	24	-
60 H 300	60	6A		242.55	241.18	-	90	215	85.7	100	24	-
70 H 300	70	6A		282.98	281.61	-	100	255	85.7	100	28	-
72 H 300	72	6A		291.06	289.69	-	100	263	85.7	100	28	-
82 H 300	82	6A		331.49	330.12	-	100	304	85.7	100	28	-
84 H 300	84	6A		339.57	338.20	-	100	312	85.7	100	28	-
94 H 300	94	6A		380.00	378.63	-	120	352	85.7	100	28	-
96 H 300	96	6A		388.08	386.71	-	120	360	85.7	100	28	-
106 H 300	106	6A		428.51	427.14	-	120	401	85.7	100	28	-
116 H 300	116	6A		468.93	467.56	-	120	441	85.7	100	28	-
118 H 300	118	6A		477.02	475.65	-	120	449	85.7	100	28	-
120 H 300	120	6A		485.10	483.73	-	120	458	85.7	100	28	-
150 H 300	150	6A		606.38	605.01	-	120	579	85.7	100	28	-
152 H 300	152	6A		614.47	613.09	-	120	587	85.7	100	28	-
154 H 300	154	6A		622.55	621.18	-	120	595	85.7	100	28	-
156 H 300	156	6A	630.64	629.26	-	120	603	85.7	100	28	-	

Note:

- 1, Setscrew hole available with request;
- 2, Center hole provided if there is no bore size listed;
- 3, Flange dimension: O.D.x I.D.x Thickness.