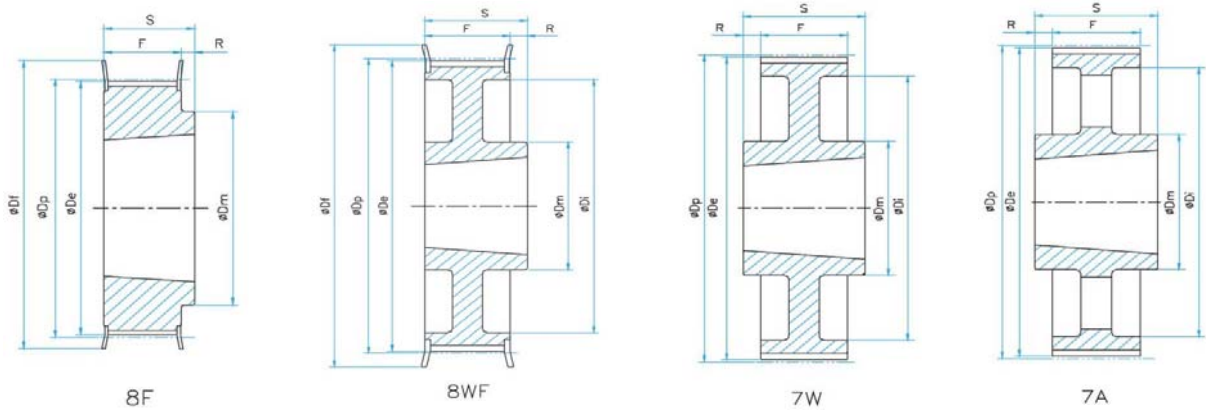


## Taper Bore Timing Pulley L050

9.525mm Pitch



Part No.	Teeth No.	Type	Material	Bush No.	Dp	De	Df	Dm	Di	F	S	R	Flange Dimension
TL18L050	18	8F	STEEL	1108	54.57	53.81	60	45	-	19	22	3	60.0x48.0x1.5
TL19L050	19	8F		1108	57.61	56.84	64	45	-	19	22	3	64.0x47.0x1.5
TL20L050	20	8F		1108	60.64	59.88	66.5	48	-	19	22	3	66.5x53.0x1.5
TL21L050	21	8F		1108	63.67	62.91	70	48	-	19	22	3	70.0x53.0x1.5
TL22L050	22	8F		1108	66.70	65.94	75	51	-	19	22	3	75.0x57.0x1.5
TL23L050	23	8F		1108	69.73	68.97	79	54	-	19	22	3	79.0x60.0x1.5
TL24L050	24	8F		1108	72.77	72.00	79	54	-	19	22	3	79.0x60.0x1.5
TL25L050	25	8F		1108	75.80	75.04	82.5	56	-	19	22	3	82.5x64.0x1.5
TL26L050	26	8F		1108	78.83	78.07	86	60	-	19	22	3	86.0x68.0x1.5
TL27L050	27	8F		1108	81.86	81.10	86	62	-	19	22	3	86.0x68.0x1.5
TL28L050	28	8F		1108	84.89	84.13	91	65	-	19	22	3	91.0x73.0x1.5
TL30L050	30	8F		1108	90.96	90.20	97	70	-	19	22	3	97.0x79.0x1.5
TL32L050	32	8F		1108	97.02	96.26	102	74	-	19	22	3	102.0x82.5x1.5
TL36L050	36	8F		1108	109.15	108.39	115	85	-	19	22	3	115.0x94.0x1.5
TL40L050	40	8F		1610	121.28	120.51	128	88	-	19	25	6	128.0x107.0x1.5
TL44L050	44	8WF		1610	133.40	132.64	142	88	110	19	25	6	142.0x120.0x1.5
TL48L050	48	8WF		1610	145.53	144.77	150	88	120	19	25	6	150.0x130.0x1.5
TL60L050	60	7W	1610	181.91	181.15	-	92	166	19	25	3	-	
TL72L050	72	7A	CAST IRON	1610	218.30	217.53	-	92	202	19	25	3	-
TL84L050	84	7A		1610	254.68	253.90	-	92	236	19	25	3	-
TL96L050	96	7A		2012	291.06	290.30	-	106	270	19	32	6.5	-
TL120L050	120	7A		2012	363.83	363.07	-	106	343	19	32	6.5	-

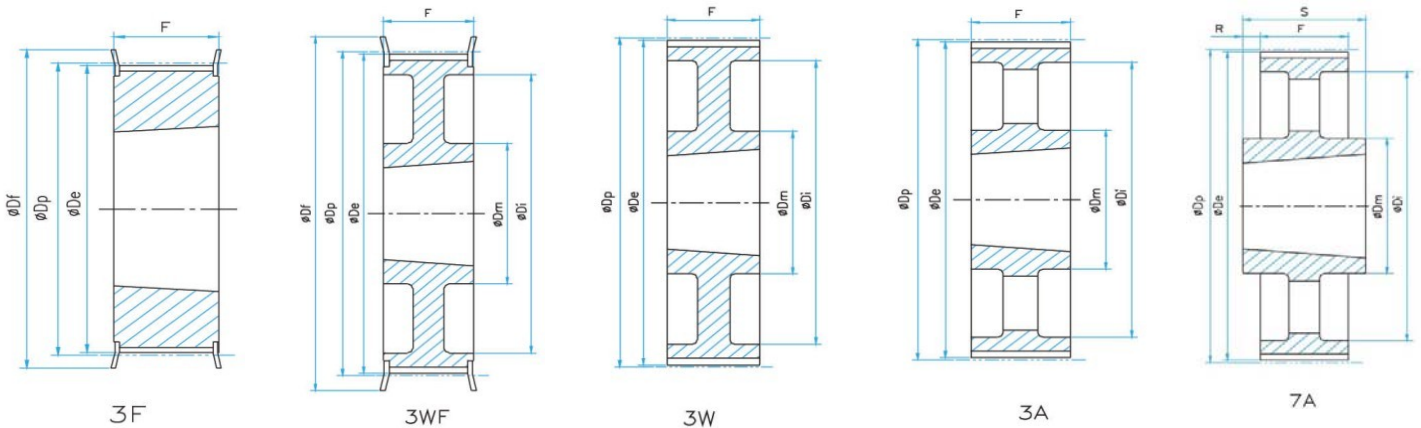
Note:

\*All dimensions are mm

1, Flange dimension: O.D.x I.D.x Thickness.

## Taper Bore Timing Pulley L075

9.525mm Pitch



Part No.	Teeth No.	Type	Material	Bush No.	Dp	De	Df	Dm	Di	F	S	R	Flange Dimension
TL18L075	18	3F	STEEL	1108	54.57	53.81	60	-	-	25	25	-	60.0x48.0x1.5
TL19L075	19	3F		1108	57.61	56.84	64	-	-	25	25	-	64.0x47.0x1.5
TL20L075	20	3F		1108	60.64	59.88	66.5	-	-	25	25	-	66.5x53.0x1.5
TL21L075	21	3F		1108	63.67	62.91	70	-	-	25	25	-	70.0x53.0x1.5
TL22L075	22	3F		1108	66.70	65.94	75	-	-	25	25	-	75.0x57.0x1.5
TL23L075	23	3F		1108	69.73	68.97	79	-	-	25	25	-	79.0x60.0x1.5
TL24L075	24	3F		1108	72.77	72.00	79	-	-	25	25	-	79.0x60.0x1.5
TL25L075	25	3F		1108	75.80	75.04	82.5	-	-	25	25	-	82.5x64.0x1.5
TL26L075	26	3F		1108	78.83	78.07	86	-	-	25	25	-	86.0x68.0x1.5
TL27L075	27	3F		1108	81.86	81.10	86	-	-	25	25	-	86.0x68.0x1.5
TL28L075	28	3F		1108	84.89	84.13	91	-	-	25	25	-	91.0x73.0x1.5
TL30L075	30	3F		1108	90.96	90.20	97	-	-	25	25	-	97.0x79.0x1.5
TL32L075	32	3F		1108	97.02	96.26	102	-	-	25	25	-	102.0x82.5x1.5
TL36L075	36	3F		1610	109.15	108.39	115	-	-	25	25	-	115.0x94.0x1.5
TL40L075	40	3F		1610	121.28	120.51	128	-	-	25	25	-	128.0x107.0x1.5
TL44L075	44	3WF		1610	133.40	132.64	142	90	110	25	25	-	142.0x120.0x1.5
TL48L075	48	3WF		1610	145.53	144.77	150	92	120	25	25	-	150.0x130.0x1.5
TL60L075	60	3W		1610	181.91	181.15	-	92	166	25	25	-	-
TL72L075	72	3A	CAST IRON	1610	218.30	217.53	-	92	202	25	25	-	-
TL84L075	84	7A		1610	254.68	253.90	-	92	236	25	32	3.5	-
TL96L075	96	7A		2012	291.06	290.30	-	106	270	25	32	3.5	-
TL120L075	120	7A		2012	363.83	363.07	-	106	343	25	32	3.5	-

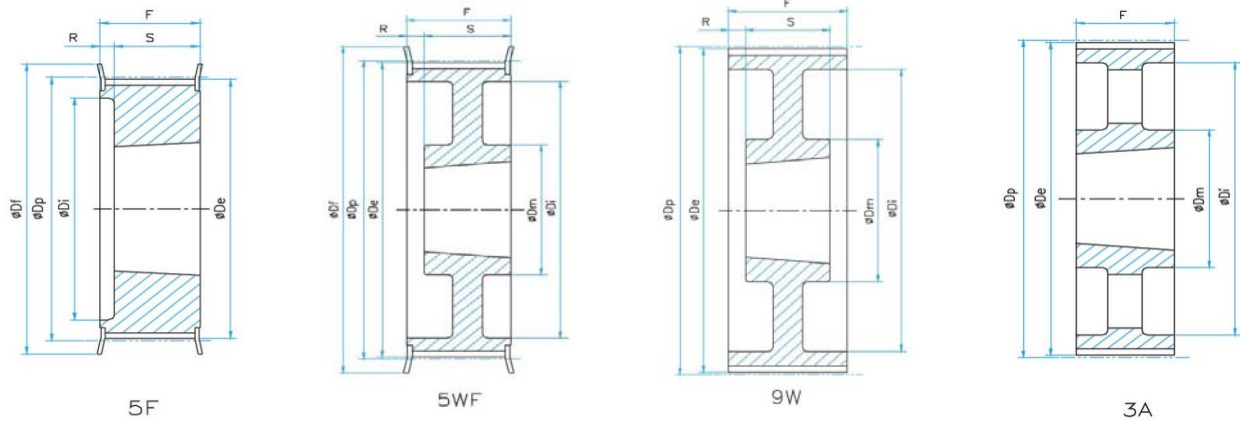
Note:

\*All dimensions are mm

1, Flange dimension: O.D.x I.D.x Thickness.

## Taper Bore Timing Pulley L100

9.525mm Pitch



Part No.	Teeth No.	Type	Material	Bush No.	Dp	De	Df	Dm	Di	F	S	R	Flange Dimension
TL18L100	18	5F	STEEL	1108	54.57	53.81	60	-	38	31	22	9	60.0x48.0x1.5
TL19L100	19	5F		1108	57.61	56.84	64	-	38	31	22	9	64.0x47.0x1.5
TL20L100	20	5F		1108	60.64	59.88	66.5	-	45	31	22	9	66.5x53.0x1.5
TL21L100	21	5F		1108	63.67	62.91	70	-	45	31	22	9	70.0x53.0x1.5
TL22L100	22	5F		1108	66.70	65.94	75	-	48	31	22	9	75.0x57.0x1.5
TL23L100	23	5F		1108	69.73	68.97	79	-	52	32	22	10	79.0x60.0x1.5
TL24L100	24	5F		1108	72.77	72.00	79	-	52	32	22	10	79.0x60.0x1.5
TL25L100	25	5F		1108	75.80	75.04	82.5	-	54	32	22	10	82.5x64.0x1.5
TL26L100	26	5F		1108	78.83	78.07	86	-	60	32	22	10	86.0x68.0x1.5
TL27L100	27	5F		1108	81.86	81.10	86	-	60	32	22	10	86.0x68.0x1.5
TL28L100	28	5F		1108	84.89	84.13	91	-	65	32	22	10	91.0x73.0x1.5
TL30L100	30	5F		1210	90.96	90.20	97	-	71	32	25	7	97.0x79.0x1.5
TL32L100	32	5F		1210	97.02	96.26	102	-	75	32	25	7	102.0x82.5x1.5
TL36L100	36	5F		1610	109.15	108.39	115	-	86	32	25	7	115.0x94.0x1.5
TL40L100	40	5F		1610	121.28	120.51	128	-	96	32	25	7	128.0x107.0x1.5
TL44L100	44	5WF		1610	133.40	132.64	142	90	110	32	25	7	142.0x120.0x1.5
TL48L100	48	5WF		1610	145.53	144.77	150	92	120	32	25	7	150.0x130.0x1.5
TL60L100	60	9W		1610	181.91	181.15	-	92	166	32	25	3.5	-
TL72L100	72	3A	CAST IRON	2012	218.30	217.53	-	92	202	32	32	0	-
TL84L100	84	3A		2012	254.68	253.90	-	92	236	32	32	0	-
TL96L100	96	3A		2012	291.06	290.30	-	106	270	32	32	0	-
TL120L100	120	3A		2012	363.83	363.07	-	106	343	32	32	0	-

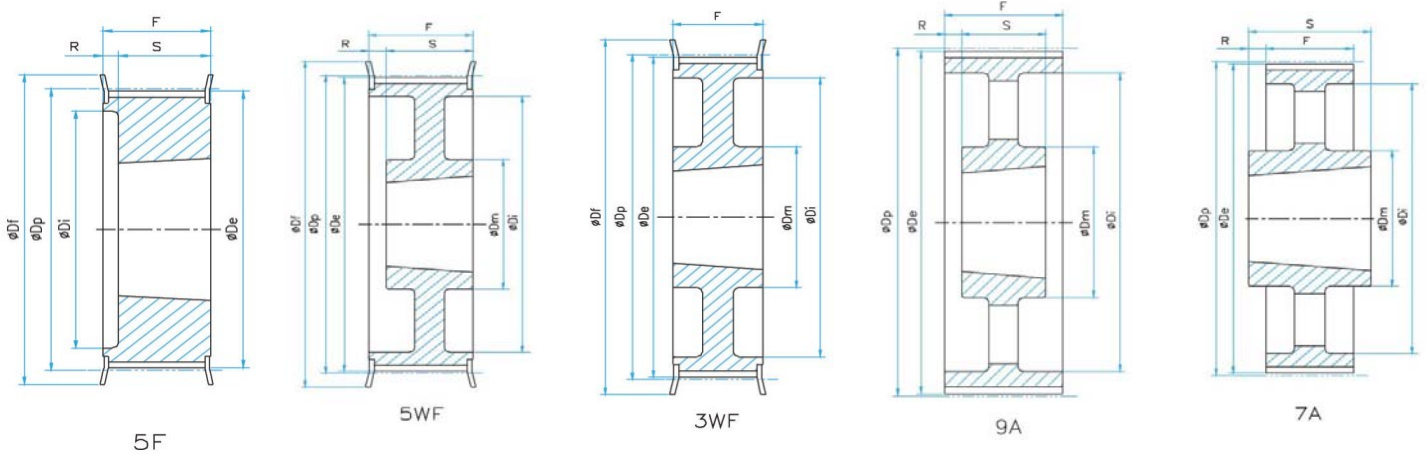
Note:

\*All dimensions are mm

1, Flange dimension: O.D.x I.D.x Thickness.

## Taper Bore Timing Pulley H100

12.7mm Pitch



Part No.	Teeth No.	Type	Material	Bush No.	Dp	De	Df	Dm	Di	F	S	R	Flange Dimension
TL16H100	16	5F	STEEL	1108	64.68	63.31	70	-	45	31	22	9	70.0x53.0x1.5
TL18H100	18	5F		1210	72.77	71.39	79	-	52	31	25	6	79.0x60.0x1.5
TL19H100	19	5F		1210	76.81	75.44	82.5	-	56	31	25	6	82.5x64.0x1.5
TL20H100	20	5F		1210	80.85	79.48	87	-	60	31	25	6	87.0x72.0x1.5
TL21H100	21	5F		1210	84.89	83.52	91	-	64	32	25	7	91.0x73.0x1.5
TL22H100	22	5F		1210	88.94	87.56	94	-	67	32	25	7	94.0x76.0x1.5
TL23H100	23	5F		1610	92.98	91.61	97	-	70	32	25	7	97.0x79.0x1.5
TL24H100	24	5F		1610	97.02	95.65	102	-	74	32	25	7	102.0x82.5x1.5
TL25H100	25	5F		1610	101.06	99.69	106	-	77	32	25	7	106.0x86.0x1.5
TL26H100	26	5F		1610	105.11	103.73	112	-	82	32	25	7	112.0x91.0x1.5
TL27H100	27	5F		1610	109.15	107.78	115	-	85	32	25	7	115.0x94.0x1.5
TL28H100	28	5F		1610	113.19	111.82	120	-	90	32	25	7	120.0x99.5.0x1.5
TL30H100	30	5F		1610	121.28	111.90	128	-	98	32	25	7	128.0x107.0x1.5
TL32H100	32	5WF		1610	129.36	127.99	135	80	106	32	25	7	135.0x115.0x1.5
TL36H100	36	5WF		1610	145.53	144.16	150	92	121	32	25	7	150.0x130.0x1.5
TL40H100	40	5WF		1610	161.70	160.33	168	92	138	32	25	7	168.0x148.0x1.5
TL44H100	44	3WF	2012	177.87	176.50	184	106	152	32	32	0	184.0x162.0x1.5	
TL48H100	48	3WF	2012	194.04	192.67	200	106	169	32	32	0	200.0x180.0x1.5	
TL60H100	60	9A	CAST IRON	2012	242.55	241.18	-	92	223	34	32	1	-
TL72H100	72	9A		2012	291.06	289.69	-	92	270	34	32	1	-
TL84H100	84	9A		2012	339.57	338.20	-	92	318	34	32	1	-
TL96H100	96	7A		2517	388.08	386.71	-	106	366	34	45	5.5	-
TL120H100	120	7A		2517	485.10	483.73	-	106	462	34	45	5.5	-

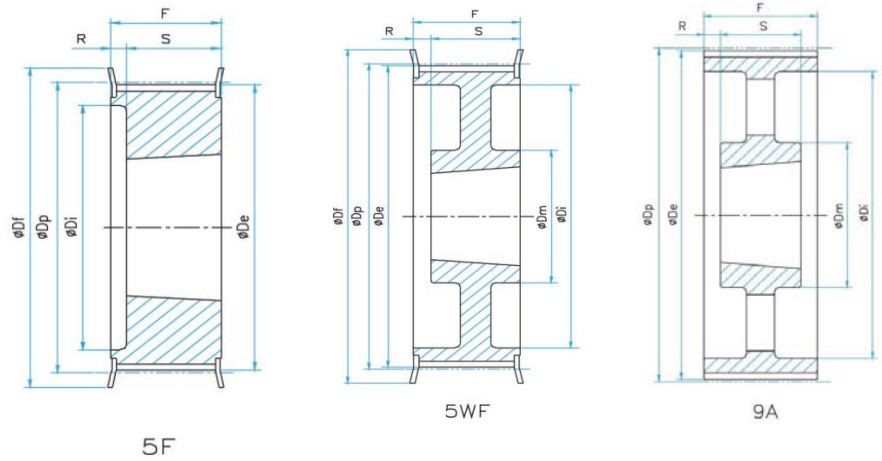
Note:

1, Flange dimension: O.D.x I.D.x Thickness.

\*All dimensions are mm

## Taper Bore Timing Pulley H150

12.7mm Pitch



Part No.	Teeth No.	Type	Material	Bush No.	Dp	De	Df	Dm	Di	F	S	R	Flange Dimension
TL18H150	18	5F	STEEL	1210	72.77	71.39	79	-	52	45	25	20	79.0x60.0x1.5
TL19H150	19	5F		1210	76.81	75.44	82.5	-	56	45	25	20	82.5x64.0x1.5
TL20H150	20	5F		1210	80.85	79.48	87	-	60	45	25	20	87.0x72.0x1.5
TL21H150	21	5F		1210	84.89	83.52	91	-	64	45	25	20	91.0x73.0x1.5
TL22H150	22	5F		1210	88.94	87.56	94	-	67	45	25	20	94.0x76.0x1.5
TL23H150	23	5F		1610	92.98	91.61	97	-	70	45	25	20	97.0x79.0x1.5
TL24H150	24	5F		1610	97.02	95.65	102	-	74	45	25	20	102.0x82.5x1.5
TL25H150	25	5F		1610	101.06	99.69	106	-	77	45	25	20	106.0x86.0x1.5
TL26H150	26	5F		1610	105.11	103.73	112	-	82	45	25	20	112.0x91.0x1.5
TL27H150	27	5F		1610	109.15	107.78	115	-	85	45	25	20	115.0x94.0x1.5
TL28H150	28	5F		1610	113.19	111.82	120	-	90	45	25	20	120.0x99.5.0x1.5
TL30H150	30	5F		1610	121.28	111.90	128	-	98	45	25	20	128.0x107.0x1.5
TL32H150	32	5WF		1610	129.36	127.99	135	80	106	45	25	20	135.0x115.0x1.5
TL36H150	36	5WF		1610	145.53	144.16	150	92	121	45	25	20	150.0x130.0x1.5
TL40H150	40	5WF		1610	161.70	160.33	168	92	138	45	25	20	168.0x148.0x1.5
TL44H150	44	5WF		2012	177.87	176.50	184	106	152	45	32	13	184.0x162.0x1.5
TL48H150	48	5WF		2012	194.04	192.67	200	106	169	45	32	13	200.0x180.0x1.5
TL60H150	60	9A		CAST IRON	2012	242.55	241.18	-	92	223	46	32	7.5
TL72H150	72	9A	2012		291.06	289.69	-	92	270	46	32	7.5	-
TL84H150	84	9A	2012		339.57	338.20	-	92	318	46	32	7.5	-
TL96H150	96	9A	2517		388.08	386.71	-	106	366	46	45	0.5	-
TL120H150	120	9A	2517		485.10	483.73	-	106	462	46	45	0.5	-

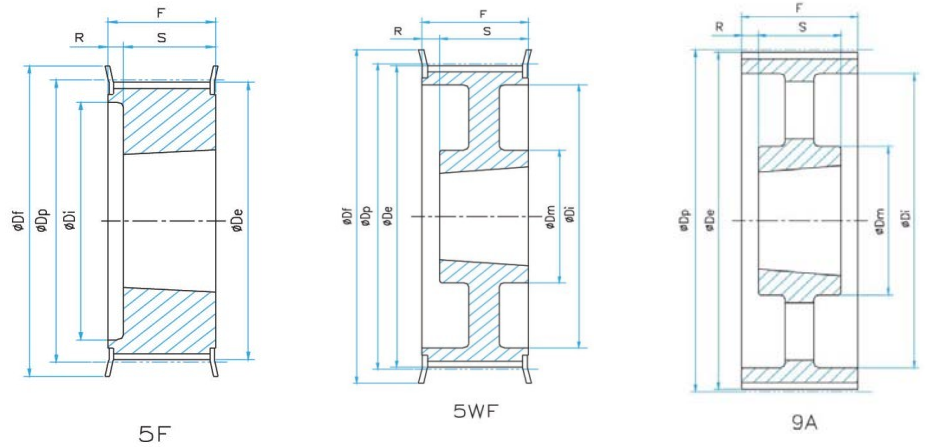
Note:

\*All dimensions are mm

1, Flange dimension: O.D.x I.D.x Thickness.

## Taper Bore Timing Pulley H200

12.7mm Pitch



Part No.	Teeth No.	Type	Material	Bush No.	Dp	De	Df	Dm	Di	F	S	R	Flange Dimension
TL18H200	18	5F	STEEL	1210	72.77	71.39	79	-	52	58	25	33	79.0x60.0x1.5
TL19H200	19	5F		1210	76.81	75.44	82.5	-	56	58	25	33	82.5x64.0x1.5
TL20H200	20	5F		1610	80.85	79.48	87	-	60	58	25	33	87.0x72.0x1.5
TL21H200	21	5F		1610	84.89	83.52	91	-	64	58	25	33	91.0x73.0x1.5
TL22H200	22	5F		1610	88.94	87.56	94	-	67	58	25	33	94.0x76.0x1.5
TL23H200	23	5F		1610	92.98	91.61	97	-	70	58	25	33	97.0x79.0x1.5
TL24H200	24	5F		1610	97.02	95.65	102	-	74	58	25	33	102.0x82.5x1.5
TL25H200	25	5F		1610	101.06	99.69	106	-	77	58	25	33	106.0x86.0x1.5
TL26H200	26	5F		1610	105.11	103.73	112	-	82	58	25	33	112.0x91.0x1.5
TL27H200	27	5F		1610	109.15	107.78	115	-	85	58	25	33	115.0x94.0x1.5
TL28H200	28	5F		1610	113.19	111.82	120	-	90	58	25	33	120.0x99.5.0x1.5
TL30H200	30	5F		1610	121.28	111.90	128	-	98	58	25	33	128.0x107.0x1.5
TL32H200	32	5F		2012	129.36	127.99	135	-	106	58	32	26	135.0x115.0x1.5
TL36H200	36	5WF		2012	145.53	144.16	150	102	121	58	32	26	150.0x130.0x1.5
TL40H200	40	5WF		2012	161.70	160.33	168	106	138	58	32	26	168.0x148.0x1.5
TL44H200	44	5WF		2012	177.87	176.50	184	106	152	58	32	26	184.0x162.0x1.5
TL48H200	48	5WF	2517	194.04	192.67	200	119	169	58	45	13	200.0x180.0x1.5	
TL60H200	60	9A	CAST IRON	2517	242.55	241.18	-	119	223	60	45	7.5	-
TL72H200	72	9A		2517	291.06	289.69	-	119	270	60	45	7.5	-
TL84H200	84	9A		2517	339.57	338.20	-	119	318	60	45	7.5	-
TL96H200	96	9A		2517	388.08	386.71	-	119	366	60	45	7.5	-
TL120H200	120	9A		2517	485.10	483.73	-	119	462	60	45	7.5	-

Note:

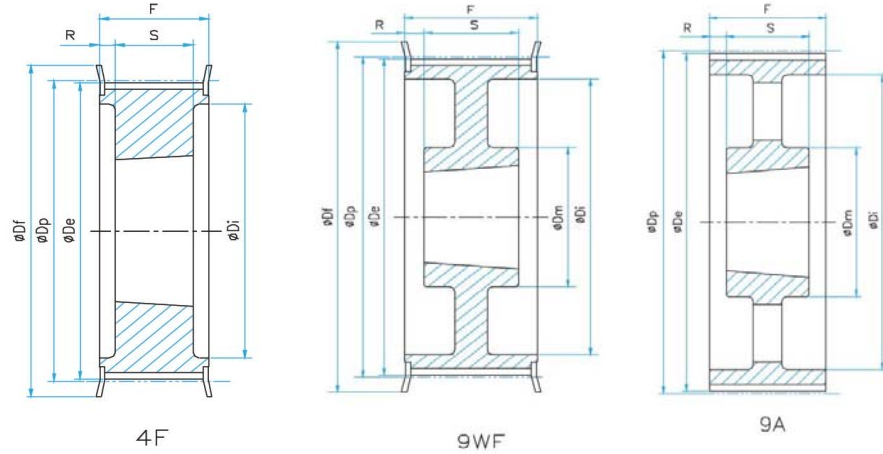
\*All dimensions are mm

1, Flange dimension: O.D.x I.D.x Thickness.



## Taper Bore Timing Pulley H300

12.7mm Pitch



Part No.	Teeth No.	Type	Material	Bush No.	Dp	De	Df	Dm	Di	F	S	R	Flange Dimension
TL20H300	20	4F	STEEL	1615	80.85	79.48	87	-	60	84	38	23	87.0x72.0x1.5
TL21H300	21	4F		1615	84.89	83.52	91	-	64	84	38	23	91.0x73.0x1.5
TL22H300	22	4F		1615	88.94	87.56	94	-	67	84	38	23	94.0x76.0x1.5
TL23H300	23	4F		1615	92.98	91.61	97	-	70	84	38	23	97.0x79.0x1.5
TL24H300	24	4F		1615	97.02	95.65	102	-	74	84	38	23	102.0x82.5x1.5
TL25H300	25	4F		1615	101.06	99.69	106	-	77	84	38	23	106.0x86.0x1.5
TL26H300	26	4F		1615	105.11	103.73	112	-	82	84	38	23	112.0x91.0x1.5
TL27H300	27	4F		2012	109.15	107.78	115	-	85	84	32	26	115.0x94.0x1.5
TL28H300	28	4F		2012	113.19	111.82	120	-	90	84	32	26	120.0x99.5.0x1.5
TL30H300	30	4F		2012	121.28	111.90	128	-	98	84	32	26	128.0x107.0x1.5
TL32H300	32	4F		2517	129.36	127.99	135	-	106	84	45	19.5	135.0x115.0x1.5
TL36H300	36	4F		2517	145.53	144.16	150	-	121	84	45	19.5	150.0x130.0x1.5
TL40H300	40	4F		2517	161.70	160.33	168	-	138	84	45	19.5	168.0x148.0x1.5
TL44H300	44	9WF		2517	177.87	176.50	184	119	152	86	45	20.5	184.0x162.0x1.5
TL48H300	48	9WF	2517	194.04	192.67	200	119	169	86	45	20.5	200.0x180.0x1.5	
TL60H300	60	9A	CAST IRON	2517	242.55	241.18	-	119	223	86	45	20.5	-
TL72H300	72	9A		2517	291.06	289.69	-	119	270	86	45	20.5	-
TL84H300	84	9A		2517	339.57	338.20	-	119	318	86	45	20.5	-
TL96H300	96	9A		3030	388.08	386.71	-	150	366	86	76	5	-
TL120H300	120	9A		3030	485.10	483.73	-	150	462	86	76	5	-

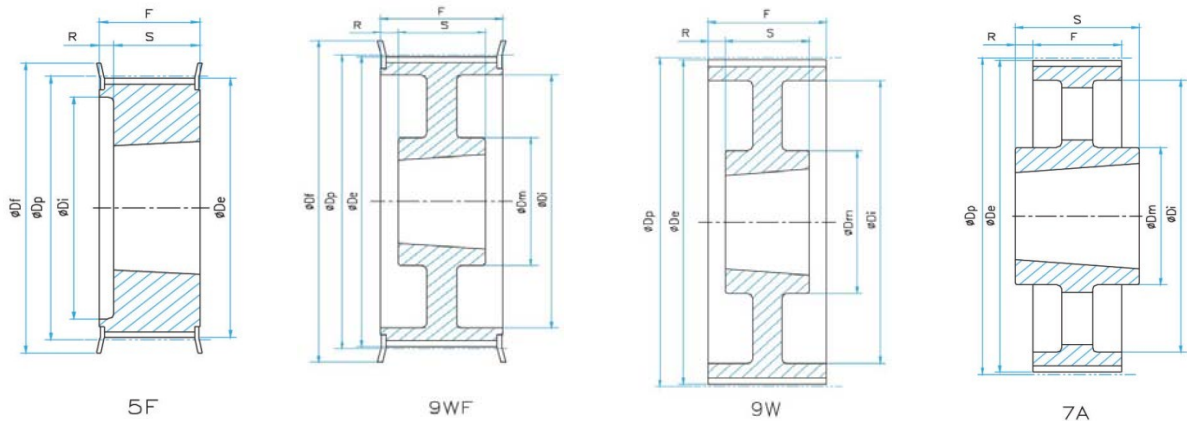
Note:

\*All dimensions are mm

1, Flange dimension: O.D.x I.D.x Thickness.

## Taper Bore Timing Pulley XH200

22.225mm Pitch



Part No.	Teeth No.	Type	Material	Bush No.	Dp	De	Df	Dm	Di	F	S	R	Flange Dimension
TL18XH200	18	5F	CAST IRON	2517	127.34	124.55	140	-	95	64	45	19	147.0x107.0x2.5
TL20XH200	20	5F		2517	141.49	138.69	155	-	110	64	45	19	155.0x107.0x2.5
TL22XH200	22	5F		2517	155.64	152.84	170	-	120	64	45	19	170.0x120.0x2.5
TL24XH200	24	5F		2517	169.79	166.99	184	-	135	64	45	19	184.0x135.0x2.5
TL26XH200	26	5F		2517	183.94	181.14	198	-	150	64	45	19	198.0x150.0x2.5
TL28XH200	28	9WF		2517	198.08	195.29	212	120	165	64	45	9.5	212.0x162.0x2.5
TL30XH200	30	9WF		2517	212.23	209.44	227	120	180	64	45	9.5	227.0x176.0x2.5
TL32XH200	32	9WF		2517	226.38	223.59	240	120	195	64	45	9.5	240.0x192.0x2.5
TL40XH200	40	9WF		3020	282.98	280.18	297	160	245	64	51	9.5	297.0x249.0x2.5
TL48XH200	48	9W		3020	339.57	336.78	-	160	300	64	51	6.5	-
TL60XH200	60	7A		3535	424.47	421.67	-	190	385	64	89	12.5	-
TL72XH200	72	7A		3535	509.36	506.56	-	190	470	64	89	12.5	-
TL84XH200	84	7A		3535	594.25	591.46	-	190	555	64	89	12.5	-
TL96XH200	96	7A		3535	679.15	676.35	-	190	640	64	89	12.5	-
TL120XH200	120	7A		3535	848.93	846.14	-	190	810	64	89	12.5	-

Note:

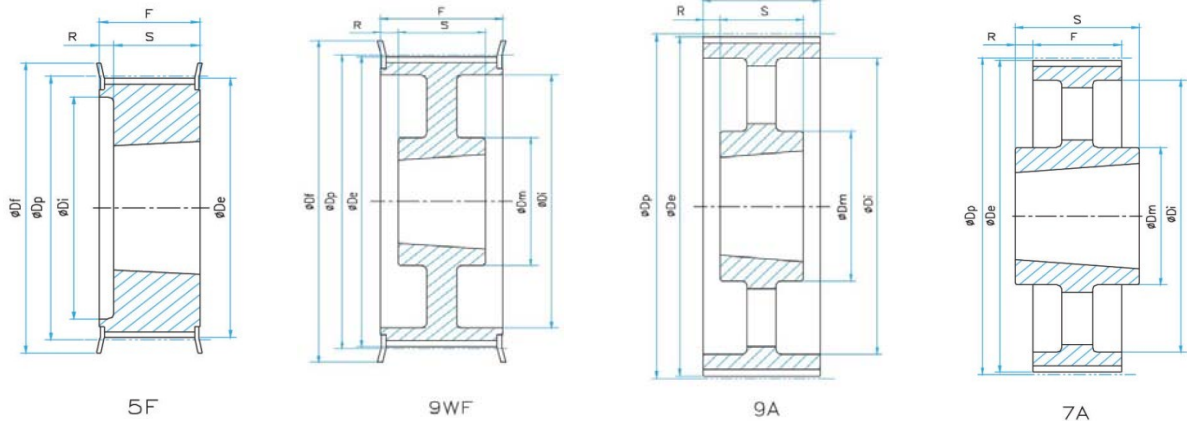
1, Flange dimension: O.D.x I.D.x Thickness.

\*All dimensions are mm



## Taper Bore Timing Pulley XH300

22.225mm Pitch



Part No.	Teeth No.	Type	Material	Bush No.	Dp	De	Df	Dm	Di	F	S	R	Flange Dimension
TL18XH300	18	5F	CAST IRON	2517	127.34	124.55	140	-	95	90	45	45	147.0x107.0x2.5
TL20XH300	20	5F		2517	141.49	138.69	155	-	110	90	45	45	155.0x107.0x2.5
TL22XH300	22	5F		2517	155.64	152.84	170	-	120	90	45	45	170.0x120.0x2.5
TL24XH300	24	5F		2517	169.79	166.99	184	-	135	90	45	45	184.0x135.0x2.5
TL26XH300	26	5F		2517	183.94	181.14	198	-	150	90	45	45	198.0x150.0x2.5
TL28XH300	28	5F		3020	198.08	195.29	212	-	165	90	51	39	212.0x162.0x2.5
TL30XH300	30	5F		3020	212.23	209.44	227	-	180	90	51	39	227.0x176.0x2.5
TL32XH300	32	5F		3020	226.38	223.59	240	-	195	90	51	39	240.0x192.0x2.5
TL40XH300	40	9WF		3020	282.98	280.18	297	160	245	90	51	19.5	297.0x249.0x2.5
TL48XH300	48	9A		3020	339.57	336.78	-	160	300	90	51	19.5	-
TL60XH300	60	9A		3535	424.47	421.67	-	190	385	90	89	0.5	-
TL72XH300	72	9A		3535	509.36	506.56	-	190	470	90	89	0.5	-
TL84XH300	84	7A		4040	594.25	591.46	-	190	555	90	102	6	-
TL96XH300	96	7A		4040	679.15	676.35	-	190	640	90	102	6	-
TL120XH300	120	7A		4040	848.93	846.14	-	190	810	90	102	6	-

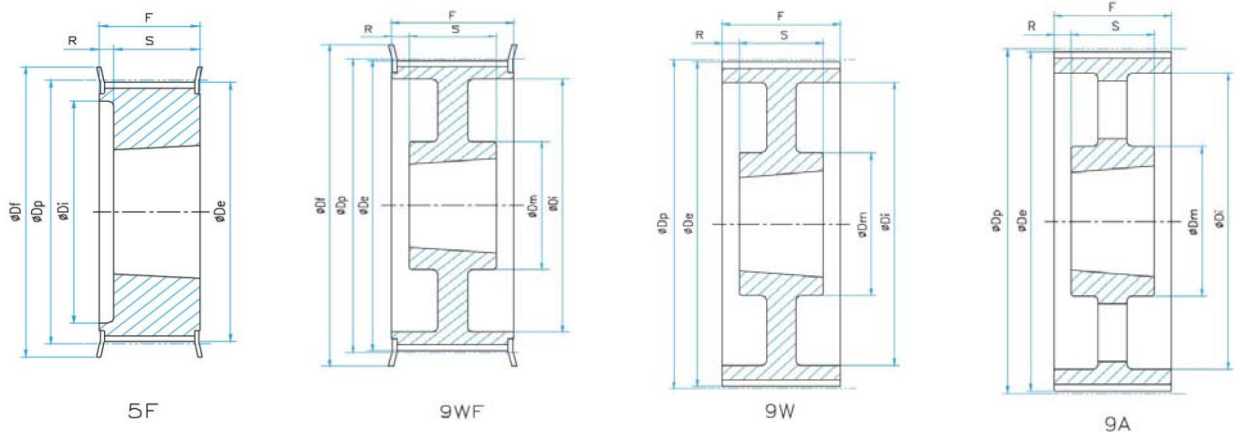
Note:

1, Flange dimension: O.D.x I.D.x Thickness.

\*All dimensions are mm

## Taper Bore Timing Pulley XH400

22.225mm Pitch



Part No.	Teeth No.	Type	Material	Bush No.	Dp	De	Df	Dm	Di	F	S	R	Flange Dimension
TL18XH400	18	5F	CAST IRON	2517	127.34	124.55	140	-	95	119	45	74	147.0x107.0x2.5
TL20XH400	20	5F		2517	141.49	138.69	155	-	110	119	45	74	155.0x107.0x2.5
TL22XH400	22	5F		2517	155.64	152.84	170	-	120	119	45	74	170.0x120.0x2.5
TL24XH400	24	5F		3020	169.79	166.99	184	-	135	119	51	68	184.0x135.0x2.5
TL26XH400	26	5F		3020	183.94	181.14	198	-	150	119	51	68	198.0x150.0x2.5
TL28XH400	28	5F		3020	198.08	195.29	212	-	165	119	51	68	212.0x162.0x2.5
TL30XH400	30	5F		3020	212.23	209.44	227	-	180	119	51	68	227.0x176.0x2.5
TL32XH400	32	5F		3020	226.38	223.59	240	-	195	119	51	68	240.0x192.0x2.5
TL40XH400	40	9WF		3535	282.98	280.18	297	160	245	119	89	15	297.0x249.0x2.5
TL48XH400	48	9W		3535	339.57	336.78	-	160	300	119	89	15	-
TL60XH400	60	9A		4040	424.47	421.67	-	190	385	119	102	8.5	-
TL72XH400	72	9A		4040	509.36	506.56	-	190	470	119	102	8.5	-
TL84XH400	84	9A		4040	594.25	591.46	-	190	555	119	102	8.5	-
TL96XH400	96	9A		4040	679.15	676.35	-	190	640	119	102	8.5	-
TL120XH400	120	9A		4040	848.93	846.14	-	190	810	119	102	8.5	-

Note:

1, Flange dimension: O.D.x I.D.x Thickness.

\*All dimensions are mm