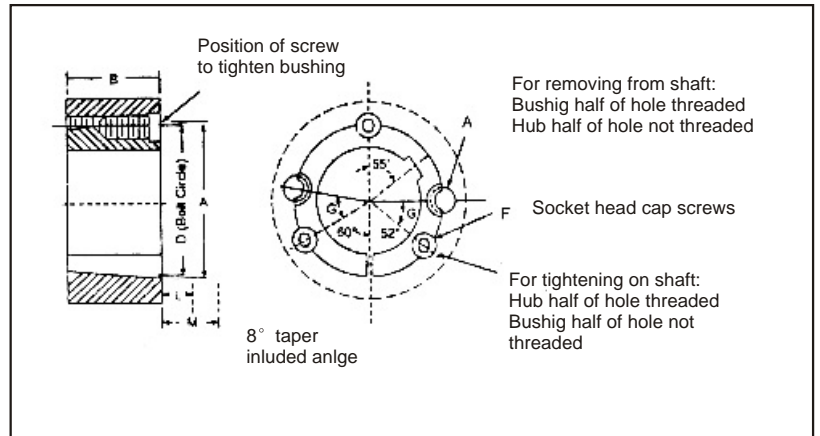
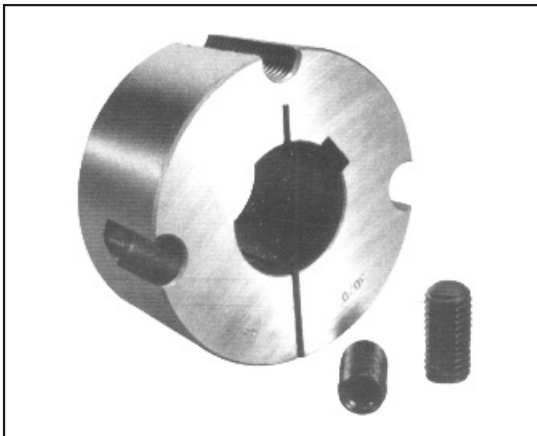
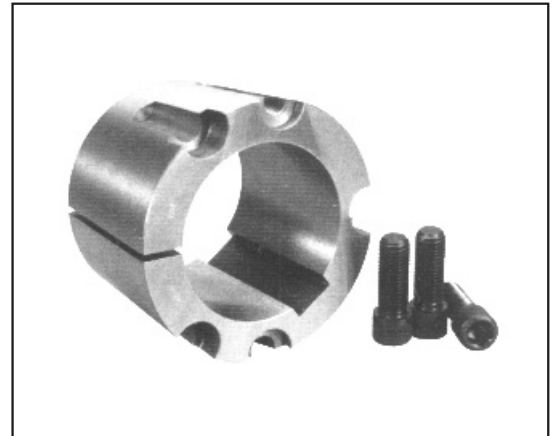
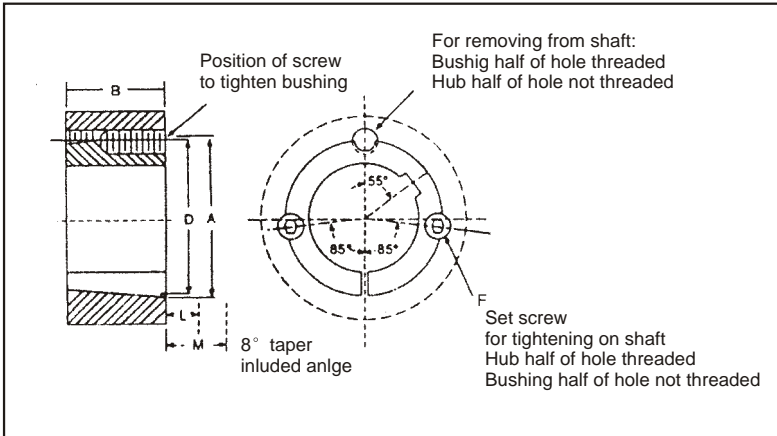


Taper Bushings

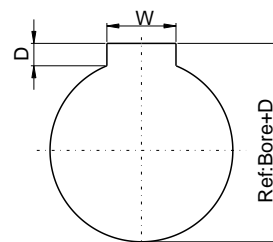


Dimensions for 3535 thru 5050 TAPER Bushings

Bush.No.	A	B	D	Socket Head Cap Screws	G
3535	5	3 1/2	4.83	1/2x1 1/2	40
4040	5 3/4	4	5.54	5/8x1 3/4	40
4545	6 3/8	4 1/2	6.13	3/4x2	40
5050	7	5	6.72	7/8x2 1/4	37

Dimensions for 1008 thru 3030 TAPER Bushings

Bush.No.	A	B	D	Set Screws
1008	1.386	7/8	121/64	1/4x 1/2
1108	1.511	7/8	129/64	1/4x 1/2
1210	17/8	1	13/4	3/8x 5/8
1215	17/8	1 1/2	13/4	3/8x 5/8
1310	2	1	17/8	3/8 x5/8
1610	2 1/4	1	2 1/8	3/8x 5/8
1615	2 1/4	1 1/2	2 1/8	3/8x 5/8
2012	2 3/4	1 1/4	2 5/8	7/16 x7/8
2017	2 3/4	1 3/4	2 5/8	7/16 x7/8
2517	3 3/8	1 3/4	3 1/4	1/2x 1
2525	3 3/8	2 1/2	3 1/4	1/2x 1
3020	4 1/4	2	4	5/8x 1 1/4
3030	4 1/4	3	4	5/8x 1 1/4



ISO STANDARD METHOD
FOR MEASURING KEYSEAT DEPTH
D: depth measured at centering

MM Bore Key way dimensions conform to ISO standard

Taper Bushing Keyway

DIN 6885
 JIS B 1301-1976
 UNI 6604-1969
 GB 1095-1979

TAPER BUSHING KEYWAY

Bush. No.	Bore	Bushing Keyway	Bush. No.	Bore	Bushing Keyway	Bush. No.	Bore	Bushing Keyway	Bush. No.	Bore	Bushing Keyway	Bush. No.	Bore	Bushing Keyway	Bush. No.	Bore	Bushing Keyway						
1008	10	3×1.40	1610	14	5×2.30	2517	20	6×2.80	3020	25	8×3.30	3535	35	10×3.30	4545	55	16×4.30						
	11	4×1.80		16	6×2.80		22	8×3.30		28	10×3.30		38	12×3.30		60	18×4.40						
	12			18			24			30			40			42		45	48	50	75	20×4.90	
	14	5×2.30		19	6×2.80		25	8×3.30		32	10×3.30		35	12×3.30		42	14×3.80	45	16×4.30	70	25×5.40		
	16	6×2.80		20	8×3.30		28	10×3.30		35	12×3.30		38	14×3.80		40	16×4.30	48	18×4.40	55	22×5.40	80	28×6.40
	18			22			30			40			42			45		48		50		75	
	19			24			32			40			42			45		48		50		75	
	20			25			35			45			48			50		75					
	22	8×3.30		28	10×3.30		38	12×3.30		45	14×3.80		55	16×4.30		60	18×4.40	70	20×4.90	85	25×5.40		
	24	8×2.00		30	10×3.30		40	12×3.30		42	14×3.80		45	16×4.30		48	18×4.40	50	20×4.90	65	25×5.40		
25	8×1.30	32	10×3.30	42	12×2.20	45	16×4.30	48	18×4.40	50	20×4.90	55	25×5.40	65	28×6.40								
1108	10	3×1.40	1615	14	5×2.30	2525	20	6×2.80	3030	25	8×3.30	4040	40	12×3.30	5050	60	18×4.40						
	11	4×1.80		16	6×2.80		22	8×3.30		28	10×3.30		30	12×3.30		42	14×3.80	65	20×4.90				
	12			18			24			32			38			45		50		75	85	110	
	14	5×2.30		19	6×2.80		25	8×3.30		32	10×3.30		35	12×3.30		42	14×3.80	45	16×4.30	70	25×5.40		
	16	6×2.80		20	8×3.30		28	10×3.30		35	12×3.30		38	14×3.80		40	16×4.30	48	18×4.40	55	22×5.40	80	28×6.40
	18			22			30			40			42			45		48		50		75	
	19			24			32			40			42			45		48		50		75	
	20			25			35			45			48			50		75					
	22	8×3.30		28	10×3.30		38	12×3.30		45	14×3.80		55	16×4.30		60	18×4.40	70	20×4.90	85	25×5.40		
	24	8×2.00		30	10×3.30		40	12×3.30		42	14×3.80		45	16×4.30		48	18×4.40	50	20×4.90	65	25×5.40		
28	8×3.30	32	10×3.30	42	12×2.20	45	16×4.30	48	18×4.40	50	20×4.90	55	25×5.40	65	28×6.40								
30	10×3.30	35	10×3.30	45	16×4.30	48	18×4.40	50	20×4.90	55	25×5.40	60	28×6.40										
32	10×3.30	38	10×3.30	60	18×4.40																		
1210	11	4×1.80	2012	18	6×2.80	2525	20	6×2.80	3030	25	8×3.30	4040	40	12×3.30	5050	60	18×4.40						
	12	4×1.80		19	6×2.80		22	8×3.30		28	10×3.30		30	12×3.30		42	14×3.80	65	20×4.90				
	14			20			24			32			38			45		50		75	85	110	
	16	5×2.30		22	6×2.80		25	8×3.30		32	10×3.30		35	12×3.30		42	14×3.80	45	16×4.30	70	25×5.40		
	18	6×2.80		24	8×3.30		28	10×3.30		35	12×3.30		38	14×3.80		40	16×4.30	48	18×4.40	55	22×5.40	80	28×6.40
	19			26			34			42			45			48		50		75			
	20			28			36			44			45			48		50		75			
	22			30			38			46			45			48		50		75			
	24	8×3.30		30	10×3.30		40	12×3.30		42	14×3.80		45	16×4.30		48	18×4.40	50	20×4.90	65	25×5.40		
	25	8×3.30		32	10×3.30		42	12×2.20		45	16×4.30		48	18×4.40		50	20×4.90	55	25×5.40	65	28×6.40		
28	8×3.30	35	10×3.30	45	16×4.30	48	18×4.40	50	20×4.90	55	25×5.40	60	28×6.40										
30	10×3.30	38	10×3.30	60	18×4.40																		
32	10×3.30	40	12×3.30																				
1310	14	5×2.30	2012	40	12×3.30	2525	40	12×3.30	3030	40	12×3.30	4040	40	12×3.30	5050	60	18×4.40						
	16	6×2.80		42	14×3.80		42	14×3.80		42	14×3.80		42	14×3.80		42	14×3.80	65	20×4.90				
	18			44			44			44			44			44		44		44	44	44	44
	19	6×2.80		45	14×3.80		45	14×3.80		45	14×3.80		45	14×3.80		45	14×3.80	45	14×3.80	70	25×5.40		
	20			46			46			46			46			46		46		46		46	46
	22			48			48			48			48			48		48		48		48	48
	24			50			50			50			50			50		50		50		50	50
	25	8×3.30		50	14×3.80		50	14×3.80		50	14×3.80		50	14×3.80		50	14×3.80	50	14×3.80	75	20×4.90		
28	8×3.30	52	14×3.80	52	14×3.80	52	14×3.80	52	14×3.80	52	14×3.80	52	14×3.80	80	22×5.40								
30	8×3.30	54	14×3.80	54	14×3.80	54	14×3.80	54	14×3.80	54	14×3.80	54	14×3.80	85	22×5.40								
32	10×3.30	56	14×3.80	56	14×3.80	56	14×3.80	56	14×3.80	56	14×3.80	56	14×3.80	90	25×5.40								
35	10×3.30	58	14×3.80	58	14×3.80	58	14×3.80	58	14×3.80	58	14×3.80	58	14×3.80	95	25×5.40								

Taper Bushing Keyway

TAPER BUSHING KEYWAY

USAS B 17.1 1967
KEYS AND KEYSEATS

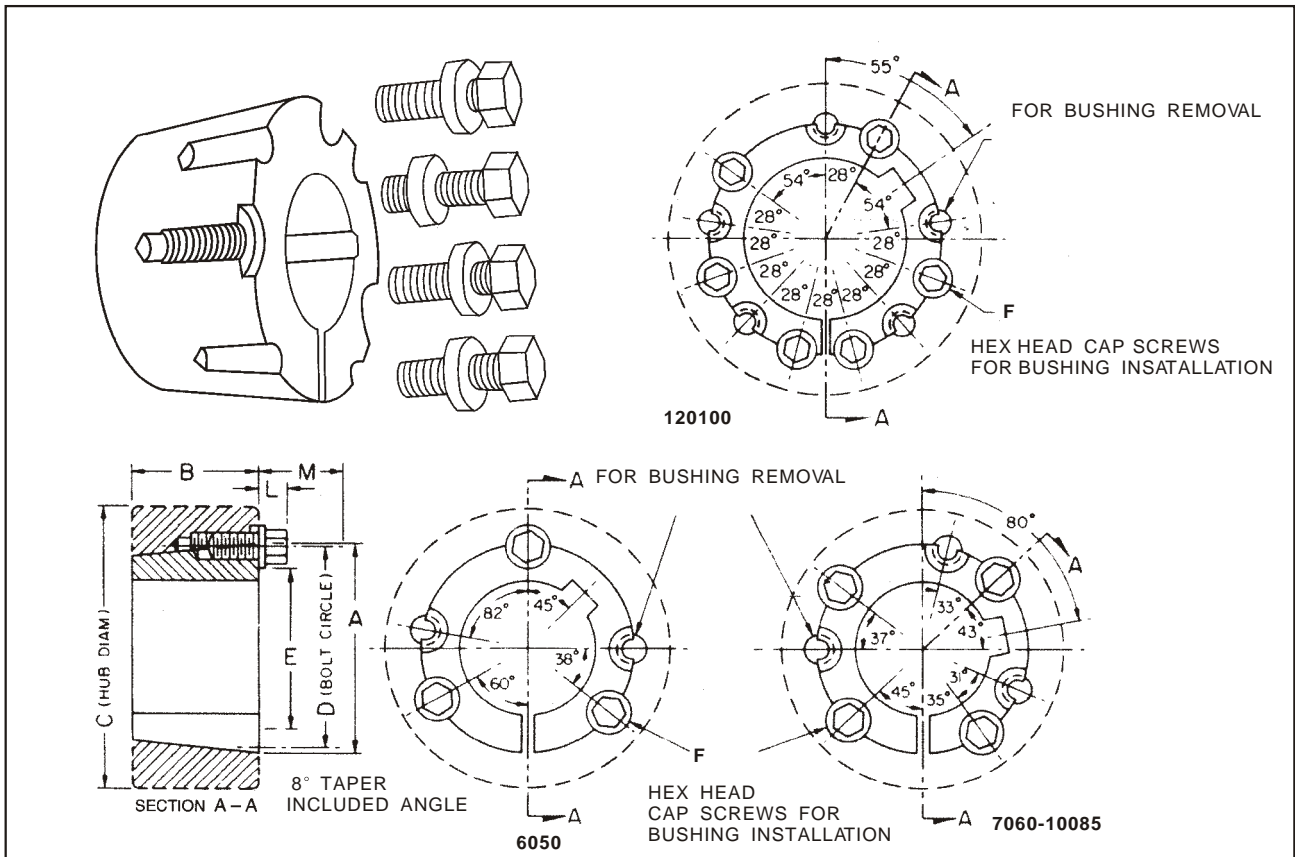
Bush. No.	Bore	Bushing Keyway	Bush. No.	Bore	Bushing Keyway	Bush. No.	Bore	Bushing Keyway	Bush. No.	Bore	Bushing Keyway	Bush. No.	Bore	Bushing Keyway	Bush. No.	Bore	Bushing Keyway										
1008	1/2 9/16	1/8 × 1/16	1610	1/2 9/16	1/8 × 1/16	2517	1/2	1/8 × 1/16	3020	7/8	3/16 × 3/32	3535	13/16	1/4 × 1/8	4545	115/16	1/2 × 1/4										
	5/8 11/16	3/16 × 3/32		5/8	3/16 × 3/32		15/16	1/4 × 1/8		1	5/16 × 5/32		13/8	1/4 × 1/8		1	5/16 × 5/32	17/16	5/8 × 5/16	23/8	5/8 × 5/16						
	3/4 13/16	1/4 × 1/8		11/16	1/4 × 1/8		1 1/8	1/4 × 1/8		1 1/8	1/4 × 1/8		1 1/2	5/16 × 5/32		1 1/2	5/16 × 5/32	1 1/2	1/2 × 1/4	27/16	3/4 × 3/8	23/16	5/8 × 5/16				
	7/8			15/16	13/16		1 1/4	5/16 × 5/32		1 1/4	5/16 × 5/32		1 3/4	3/8 × 3/16		1 3/4	3/8 × 3/16	1 3/4	1/2 × 1/4	15/8		25/8					
	△ △	15/16 1		1/4 × 1/16	△ △		15/16 1	5/16 × 5/32		△ △	1 1/16 1 1/8		1/4 × 1/8	△ △		1 7/16 1 1/2	3/8 × 3/16	△ △	1 3/4 1 1/2	5/8 × 5/16	△ △	27/8	215/16	23/4	31/8		
	1108	1/2 9/16		1/8 × 1/16	1615		1/2 9/16	1/8 × 1/16		2525	1 1/8		1/4 × 1/8	3030		1 1/8	1/4 × 1/8	4040	115/16	1/4 × 1/8	5050	2	1/2 × 1/4	315/16	1 × 1/2		
5/8 11/16		3/16 × 3/32	11/8	3/8 × 3/16		1 1/4	1/4 × 1/8	1 1/4	1/4 × 1/8		1 1/4	1/4 × 1/8	1 1/4		1/4 × 1/8	1 1/4	1/4 × 1/8		1 1/4	1/4 × 1/8		4	5/8 × 5/16				
3/4 13/16		1/4 × 1/8	13/16	3/8 × 3/16		1 1/2	5/16 × 5/32	1 1/2	5/16 × 5/32		1 1/2	5/16 × 5/32	1 1/2		5/16 × 5/32	1 1/2	5/16 × 5/32		1 1/2	5/16 × 5/32		4 1/4	3/4 × 3/8	215/16		3/4 × 3/8	
7/8			15/16	1 1/4		3/8 × 3/16	1 3/4	3/16 × 3/32	1 3/4		3/16 × 3/32	1 3/4	3/16 × 3/32		1 3/4	3/16 × 3/32	1 3/4		3/16 × 3/32	1 3/4		3/16 × 3/32		3			3/4 × 3/8
△ △		15/16 1	1/4 × 1/16	△ △		15/16 1	5/16 × 5/32	△ △	1 3/8 1 1/2		5/16 × 5/32	△ △	1 3/8 1 1/2		5/16 × 5/32	△ △	1 3/8 1 1/2		5/16 × 5/32	△ △		1 3/8 1 1/2	5/16 × 5/32	4 1/2		7/8 × 7/16	
1210		1/2 9/16	1/8 × 1/16	2012		1/2 9/16	1/8 × 1/16	2517	1 1/4		3/8 × 3/16	3020	1 1/4		3/8 × 3/16	3535	1 1/4		3/8 × 3/16	4545		1 1/4	3/8 × 3/16	37/8			1 × 1/2
	5/8 11/16	3/16 × 3/32	11/8		3/8 × 3/16	1 1/2	5/16 × 5/32		1 1/2	5/16 × 5/32	1 1/2		5/16 × 5/32	1 1/2	5/16 × 5/32		1 1/2	5/16 × 5/32	1 1/2		5/16 × 5/32	315/16	1 × 1/4				
	3/4 13/16	1/4 × 1/8	13/16		3/8 × 3/16	1 3/4	3/8 × 3/16		1 3/4	3/8 × 3/16	1 3/4		3/8 × 3/16	1 3/4	3/8 × 3/16		1 3/4	3/8 × 3/16	1 3/4		3/8 × 3/16	4		7/8 × 7/16			
	7/8		15/16		1 1/4	3/8 × 3/16	1 3/4		3/8 × 3/16	1 3/4	3/8 × 3/16		1 3/4	3/8 × 3/16	1 3/4		3/8 × 3/16	1 3/4	3/8 × 3/16		1 3/4	3/8 × 3/16			4 1/8	1 × 1/2	
	△ △	15/16 1	1/4 × 1/16		△ △	15/16 1	5/16 × 5/32		△ △	1 3/4 1 1/2	3/8 × 3/16		△ △	1 3/4 1 1/2	3/8 × 3/16		△ △	1 3/4 1 1/2	3/8 × 3/16		△ △	1 3/4 1 1/2		3/8 × 3/16	4 1/4		
	1215	1/2 9/16	1/8 × 1/16		2022	1/2 9/16	1/8 × 1/16		2525	1 3/4	3/16 × 3/32		3030	1 3/4	3/16 × 3/32		4040	1 3/4	3/16 × 3/32		5050	1 3/4		3/16 × 3/32	47/16	1 × 1/2	
5/8 11/16		3/16 × 3/32	11/8	3/8 × 3/16		1 1/2	5/16 × 5/32	1 1/2		5/16 × 5/32	1 1/2	5/16 × 5/32		1 1/2	5/16 × 5/32	1 1/2		5/16 × 5/32	1 1/2	5/16 × 5/32		27/16		5/8 × 5/16			
3/4 13/16		1/4 × 1/8	13/16	3/8 × 3/16		1 3/4	3/16 × 3/32	1 3/4		3/16 × 3/32	1 3/4	3/16 × 3/32		1 3/4	3/16 × 3/32	1 3/4		3/16 × 3/32	1 3/4	3/16 × 3/32		3	7/8 × 7/16				
7/8			15/16	1 1/4		3/8 × 3/16	1 3/4	3/16 × 3/32		1 3/4	3/16 × 3/32	1 3/4		3/16 × 3/32	1 3/4	3/16 × 3/32		1 3/4	3/16 × 3/32	1 3/4		3/16 × 3/32			3 1/4		1 1/4 × 7/16
△ △		15/16 1	1/4 × 1/16	△ △		15/16 1	5/16 × 5/32	△ △		1 3/4 1 1/2	3/8 × 3/16	△ △		1 3/4 1 1/2	3/8 × 3/16	△ △		1 3/4 1 1/2	3/8 × 3/16	△ △		1 3/4 1 1/2	3/8 × 3/16		4 1/2		
1310		1/2 9/16	1/8 × 1/16	2012		1/2 9/16	1/8 × 1/16	2525		1 1/2	3/8 × 3/16	3030		1 1/2	3/8 × 3/16	4040		1 1/2	3/8 × 3/16	5050		1 1/2	3/8 × 3/16		37/8		1 × 1/2
	5/8 11/16	3/16 × 3/32	11/8		3/8 × 3/16	1 1/4	5/16 × 5/32		1 1/4	5/16 × 5/32	1 1/4		5/16 × 5/32	1 1/4	5/16 × 5/32		1 1/4	5/16 × 5/32	1 1/4		5/16 × 5/32	315/16	1 × 1/4				
	3/4 13/16	1/4 × 1/8	13/16		3/8 × 3/16	1 3/4	3/16 × 3/32		1 3/4	3/16 × 3/32	1 3/4		3/16 × 3/32	1 3/4	3/16 × 3/32		1 3/4	3/16 × 3/32	1 3/4		3/16 × 3/32	4		7/8 × 7/16			
	7/8		15/16		1 1/4	3/8 × 3/16	1 3/4		3/16 × 3/32	1 3/4	3/16 × 3/32		1 3/4	3/16 × 3/32	1 3/4		3/16 × 3/32	1 3/4	3/16 × 3/32		1 3/4	3/16 × 3/32			4 1/4	1 1/4 × 7/16	
	△ △	15/16 1	1/4 × 1/16		△ △	15/16 1	5/16 × 5/32		△ △	1 3/4 1 1/2	3/8 × 3/16		△ △	1 3/4 1 1/2	3/8 × 3/16		△ △	1 3/4 1 1/2	3/8 × 3/16		△ △	1 3/4 1 1/2		3/8 × 3/16	4 1/2		
	1310	1/2 9/16	1/8 × 1/16		2012	1/2 9/16	1/8 × 1/16		2525	1 1/4	3/8 × 3/16		3030	1 1/4	3/8 × 3/16		4040	1 1/4	3/8 × 3/16		5050	1 1/4		3/8 × 3/16	37/8	1 × 1/2	
5/8 11/16		3/16 × 3/32	11/8	3/8 × 3/16		1 1/2	5/16 × 5/32	1 1/2		5/16 × 5/32	1 1/2	5/16 × 5/32		1 1/2	5/16 × 5/32	1 1/2		5/16 × 5/32	1 1/2	5/16 × 5/32		315/16		1 × 1/4			
3/4 13/16		1/4 × 1/8	13/16	3/8 × 3/16		1 3/4	3/16 × 3/32	1 3/4		3/16 × 3/32	1 3/4	3/16 × 3/32		1 3/4	3/16 × 3/32	1 3/4		3/16 × 3/32	1 3/4	3/16 × 3/32		4	7/8 × 7/16				
7/8			15/16	1 1/4		3/8 × 3/16	1 3/4	3/16 × 3/32		1 3/4	3/16 × 3/32	1 3/4		3/16 × 3/32	1 3/4	3/16 × 3/32		1 3/4	3/16 × 3/32	1 3/4		3/16 × 3/32			4 1/4		1 1/4 × 7/16
△ △		15/16 1	1/4 × 1/16	△ △		15/16 1	5/16 × 5/32	△ △		1 3/4 1 1/2	3/8 × 3/16	△ △		1 3/4 1 1/2	3/8 × 3/16	△ △		1 3/4 1 1/2	3/8 × 3/16	△ △		1 3/4 1 1/2	3/8 × 3/16		4 1/2		

△-Shallow keyway

Taper Bushings

TAPER BUSHINGS DIMENSIONS (Con t.)

6050 thru 120100 Sizes



Dimensions for 6050 thru 120100 TAPER Bushings

Bush.No	A	B	D	Socket Head Cap Screws	E	L	M
6050	9 ¹ / ₄	5	9	3 - 1 ¹ / ₄ × 3 ¹ / ₂	6 ³ / ₄	15 ⁵ / ₈	4 ³ / ₈
7060	10 ¹ / ₄	6	10	4 - 1 ¹ / ₄ × 3 ¹ / ₂	7 ³ / ₄	15 ⁵ / ₈	4 ³ / ₈
8065	11 ¹ / ₄	6 ¹ / ₂	11	4 - 1 ¹ / ₄ × 3 ¹ / ₂	8 ³ / ₄	15 ⁵ / ₈	4 ³ / ₈
10085	14 ³ / ₄	8 ¹ / ₂	14 ¹ / ₂	4 - 1 ¹ / ₂ × 4 ¹ / ₄	11 ³ / ₄	2	5 ³ / ₈
120100	17 ¹ / ₄	10	17	6 - 1 ¹ / ₂ × 4 ¹ / ₄	14 ¹ / ₄	2	5 ³ / ₈

Dimensions for TAER Bushing Metric.Inches Bore

Bush.No.	Inches bore		metric bore	
	Min.	Max.	Min.	Max.
6050	4 ⁷ / ₁₆	6	80	150
7060	4 ¹⁵ / ₁₆	7	90	175
8065	5 ⁷ / ₁₆	8	110	200
10085	7	10	175	250
12100	8	12	200	300

For complete instructions refer to instruction sheet packed with each bushing.

Bore and keyway dimensions conform to ISO standard recommendation R773. for "free" fit.