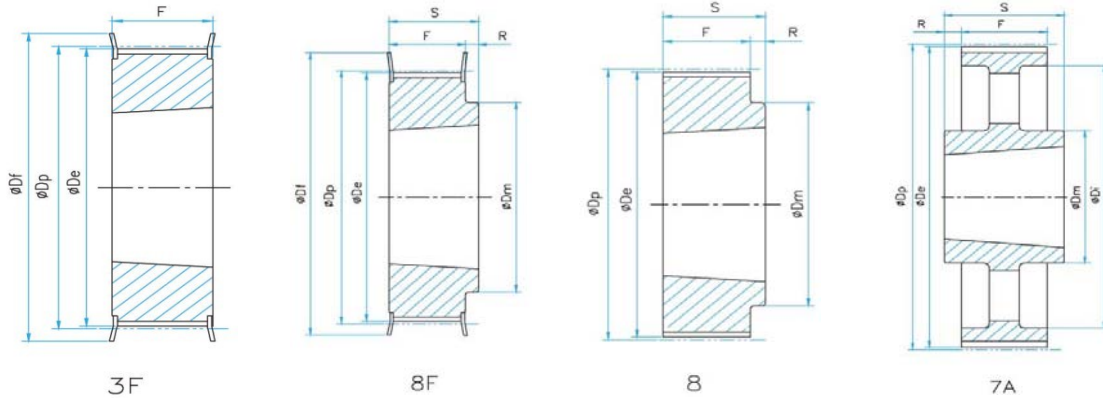


Timing Pulley HTD 5M-15

5mm Pitch for 15 mm belt width



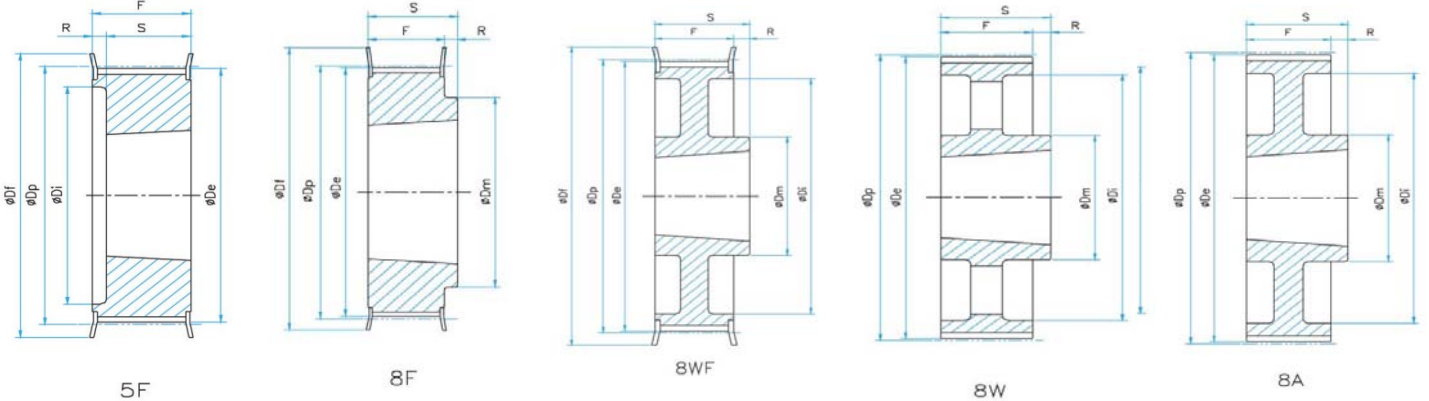
*All dimensions are mm

Part No.	Teeth No.	Conf.	Material	Bush No.	Dp	De	Df	Dm	Di	F	S	R	Flange Dimension
TL34-5M-15	34	3F	STEEL	1008	54.11	52.97	57	-	-	22	22	-	57.0x47.0x1.0
TL36-5M-15	36	3F		1108	57.30	56.15	60	-	-	22	22	-	60.0x47.0x1.0
TL38-5M-15	38	3F		1108	60.48	59.34	66.5	-	-	22	22	-	66.5x52.0x1.0
TL40-5M-15	40	3F		1108	63.66	62.52	71	-	-	22	22	-	71.0x56.0x1.0
TL44-5M-15	44	3F		1108	70.03	68.89	75	-	-	22	22	-	75.0x60.0x1.0
TL48-5M-15	48	8F		1210	76.39	75.25	83	59	-	22	25	3	83.0x68.0x1.0
TL56-5M-15	56	8F		1210	89.13	87.99	93	70	-	22	25	3	93.0x80.0x1.0
TL64-5M-15	64	8F		1210	101.86	100.72	106	80	-	22	25	3	106.0x90.0x1.0
TL72-5M-15	72	8		1610	114.59	113.45	-	92	-	22	25	3	-
TL80-5M-15	80	8		1610	127.32	126.18	-	92	-	22	25	3	-
TL90-5M-15	90	8		1610	143.24	142.10	-	92	-	22	25	3	-
TL112-5M-15	112	8		2012	178.25	177.11	-	110	-	20	32	12	-
TL136-5M-15	136	7A		2012	216.45	215.31	-	110	199	20	32	6	-

Note: 1, Flange dimension: O.D.x I.D.x Thickness.

Timing Pulley HTD 8M-20

8mm Pitch for 20 mm belt width



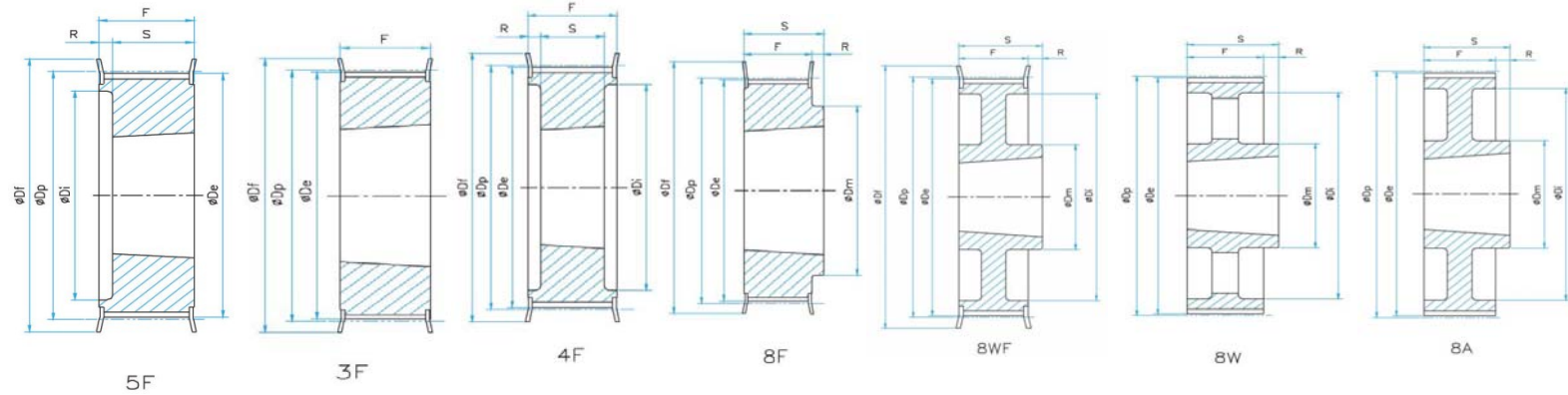
*All dimensions are mm

Part No.	Teeth No.	Confi.	Material	Bush No.	Dp	De	Df	Dm	Di	F	S	R	Flange Dimension
TL22-8M-20	22	5F	STEEL	1108	56.02	54.65	60	-	37	28	22	6	60x47x1.5
TL24-8M-20	24	5F		1108	61.12	59.75	66	-	44	28	22	6	66x52x1.5
TL26-8M-20	26	5F		1108	66.21	64.84	70	-	45	28	22	6	70x53x1.5
TL28-8M-20	28	5F		1108	71.30	69.93	75	-	50	28	22	6	75x60x1.5
TL30-8M-20	30	5F		1108	76.39	75.02	83	-	58	28	22	6	83x68x1.5
TL32-8M-20	32	5F		1610	81.49	80.12	87	-	63	28	25	3	87x72x1.5
TL34-8M-20	34	5F		1610	86.58	85.22	91	-	64	28	25	3	91x73x1.5
TL36-8M-20	36	5F		1610	91.67	90.30	97	-	68	28	25	3	97x79x1.5
TL38-8M-20	38	5F		1610	96.77	95.39	102	-	72	28	25	3	102x82.5x1.5
TL40-8M-20	40	5F		1610	101.86	100.49	106	-	76	28	25	3	106x90x1.5
TL44-8M-20	44	8F		2012	112.05	110.67	120	93	-	28	32	4	120x99.5x1.5
TL48-8M-20	48	8F		2012	122.23	120.86	128	96	-	28	32	4	128x107x1.5
TL56-8M-20	56	8F		2012	142.60	141.23	150	110	-	28	32	4	150x130x1.5
TL64-8M-20	64	8WF		2012	162.97	161.60	168	110	137	28	32	4	168x148x1.5
TL72-8M-20	72	8WF		2012	183.35	181.97	192	110	158	28	32	4	192x173x1.5
TL80-8M-20	80	8W		CAST IRON	2012	203.72	202.35	-	110	180	28	32	4
TL90-8M-20	90	8A	2012		229.18	227.81	-	110	204	28	32	4	-
TL144-8M-20	144	8A	2517		366.69	365.32	-	125	336	28	32	4	-

Note: 1, Flange dimension: O.D.x I.D.x Thickness.

Timing Pulley HTD 8M-30

8mm Pitch for 30 mm belt width



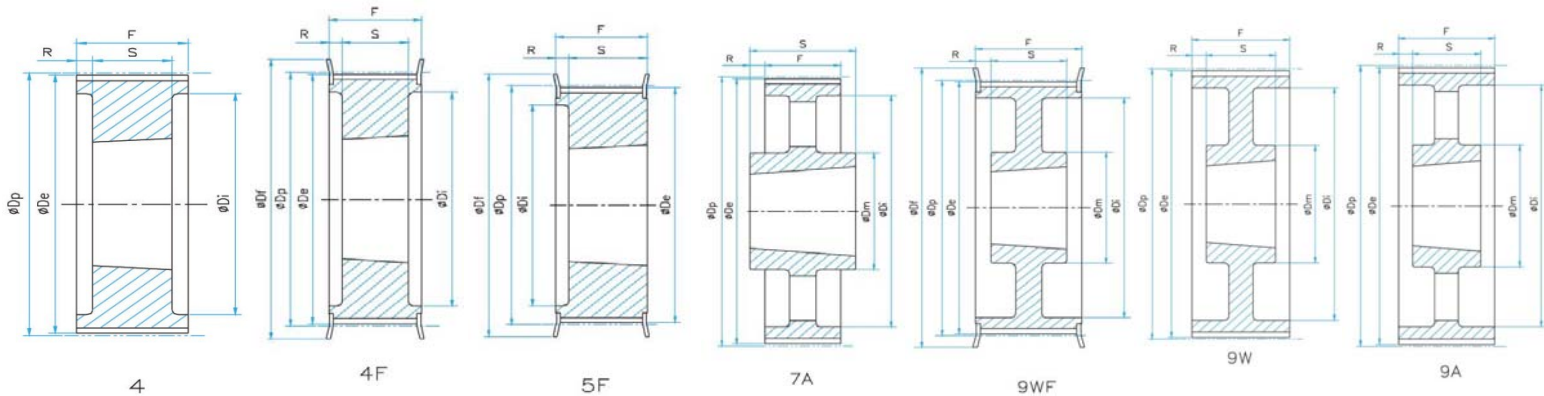
*All dimensions are mm

Part No.	Teeth No.	Confi.	Material	Bush No.	Dp	De	Df	Dm	Di	F	S	R	Flange Dimension
TL22-8M-30	22	5F	STEEL	1108	56.02	54.65	60	-	37	38	22	16	60x47x1.5
TL24-8M-30	24	5F		1108	61.12	59.75	66	-	44	38	22	16	66x52x1.5
TL26-8M-30	26	5F		1108	66.21	64.84	70	-	44	38	22	16	70x53x1.5
TL28-8M-30	28	5F		1210	71.30	69.93	75	-	50	38	25	13	75x60x1.5
TL30-8M-30	30	3F		1615	76.39	75.02	83	-	-	38	38	-	83x68x1.5
TL32-8M-30	32	3F		1615	81.49	80.12	87	-	-	38	38	-	87x72x1.5
TL34-8M-30	34	3F		1615	86.58	85.22	91	-	-	38	38	-	91x73x1.5
TL36-8M-30	36	3F		1615	91.67	90.30	97	-	-	38	38	-	97x79x1.5
TL38-8M-30	38	3F		1615	96.77	95.39	102	-	-	38	38	-	102x82.5x1.5
TL40-8M-30	40	3F		1615	101.86	100.49	106	-	-	38	38	-	106x90x1.5
TL44-8M-30	44	4F		2012	112.05	110.67	120	-	86	38	32	3	120x99.5x1.5
TL48-8M-30	48	4F		2012	122.23	120.86	128	-	90	38	32	3	128x107x1.5
TL56-8M-30	56	4F		2012	142.60	141.23	150	-	110	38	32	3	150x130x1.5
TL64-8M-30	64	8F		2517	162.97	161.60	168	125	-	38	45	7	168x148x1.5
TL72-8M-30	72	8WF	2517	183.35	181.97	192	125	158	38	45	7	192x173x1.5	
TL80-8M-30	80	8W	CAST IRON	2517	203.72	202.35	-	125	180	38	45	7	-
TL90-8M-30	90	8A		2517	229.18	227.81	-	125	204	38	45	7	-
TL112-8M-30	112	8A		2517	285.21	283.83	-	125	254	38	45	7	-
TL144-8M-30	144	8A		2517	366.69	365.32	-	125	336	38	45	7	-

Note: 1, Flange dimension: O.D.x I.D.x Thickness.

Timing Pulley HTD 8M-50

8mm Pitch for 50 mm belt width



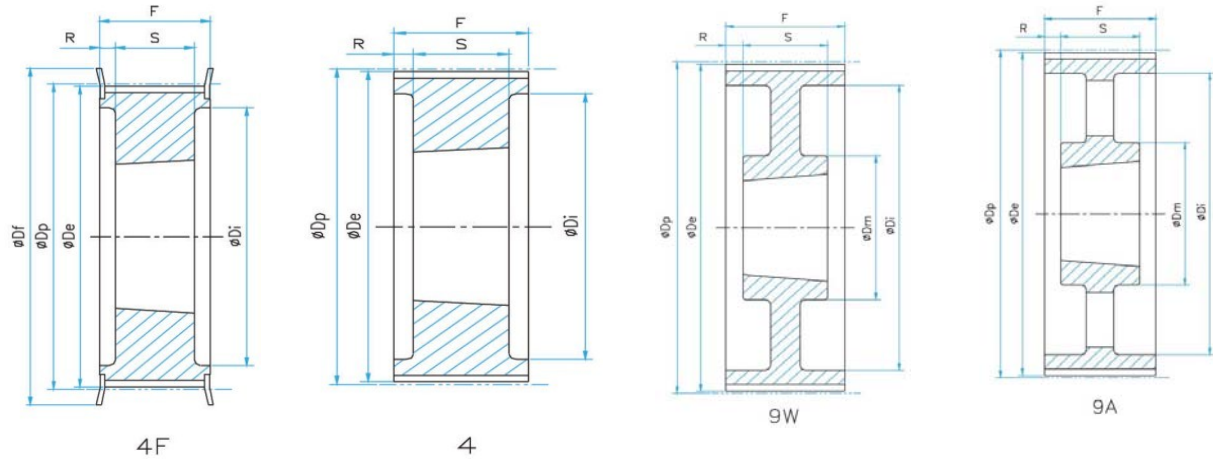
*All dimensions are mm

Part No.	Teeth No.	Confi.	Material	Bush No.	Dp	De	Df	Dm	Di	F	S	R	Flange Dimension
TL28-8M-50	28	4F	STEEL	1210	71.30	69.93	75	-	50	60	25	17.5	75x60x1.5
TL30-8M-50	30	5F		1615	76.39	75.02	83	-	58	60	38	22	83x68x1.5
TL32-8M-50	32	5F		1615	81.49	80.12	87	-	62	60	38	22	87x72x1.5
TL34-8M-50	34	5F		1615	86.58	85.22	91	-	65	60	38	22	91x73x1.5
TL36-8M-50	36	5F		1615	91.67	90.30	97	-	68	60	38	22	97x79x1.5
TL38-8M-50	38	5F		1615	96.77	95.39	102	-	72	60	38	22	102x82.5x1.5
TL40-8M-50	40	4F		2012	101.86	100.49	106	-	82	60	32	14	106x90x1.5
TL44-8M-50	44	4F		2012	112.05	110.67	120	-	91	60	32	14	120x99.5x1.5
TL48-8M-50	48	4F		2012	122.23	120.86	128	-	95	60	32	14	128x107x1.5
TL56-8M-50	56	4F		2517	142.60	141.23	150	-	116	60	45	7.5	150x130x1.5
TL64-8M-50	64	4F		2517	162.97	161.60	168	-	137	60	45	7.5	168x148x1.5
TL72-8M-50	72	9WF		2517	183.35	181.97	192	125	158	60	45	7.5	192x173x1.5
TL80-8M-50	80	4		CAST IRON	3020	203.72	202.35	-	-	180	60	51	4.5
TL90-8M-50	90	9W	3020		229.18	227.81	-	170	204	60	51	4.5	-
TL112-8M-50	112	9W	3020		285.21	283.83	-	170	260	60	51	4.5	-
TL144-8M-50	144	9A	3020		366.69	365.32	-	170	341	60	51	4.5	-
TL168-8M-50	168	7A	3525		427.81	426.44	-	198	395	60	65	2.5	-
TL192-8M-50	192	7A	3525		488.92	487.55	-	198	455	60	65	2.5	-

Note: 1, Flange dimension: O.D.x I.D.x Thickness.

Timing Pulley HTD 8M-85

8mm Pitch for 85mm belt width



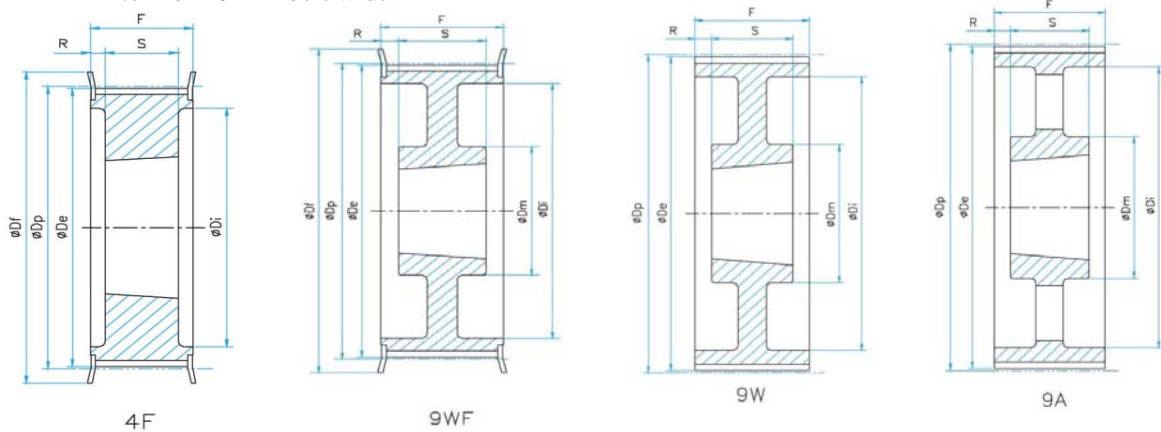
*All dimensions are mm

Part No.	Teeth No.	Conf.	Material	Bush No.	Dp	De	Df	Dm	Di	F	S	R	Flange Dimension
TL34-8M-85	34	4F	STEEL	1615	86.58	85.22	91	-	65	95	38	28.5	91x73x1.5
TL36-8M-85	36	4F		1615	91.67	90.30	97	-	68	95	38	28.5	97x79x1.5
TL38-8M-85	38	4F		1615	96.77	95.39	102	-	72	95	38	28.5	102x82.5x1.5
TL40-8M-85	40	4F		2012	101.86	100.49	106	-	82	95	32	31.5	106x90x1.5
TL44-8M-85	44	4F		2012	112.05	110.67	120	-	91	95	32	31.5	120x99.5x1.5
TL48-8M-85	48	4F		2517	122.23	120.86	128	-	100	95	45	25	128x107x1.5
TL56-8M-85	56	4F		2517	142.60	141.23	150	-	117	95	45	25	150x130x1.5
TL64-8M-85	64	4F		2517	162.97	161.60	168	-	137	95	45	25	168x148x1.5
TL72-8M-85	72	4F		3020	183.35	181.97	192	-	158	95	51	22	192x173x1.5
TL80-8M-85	80	4	CAST IRON	3020	203.72	202.35	-	-	180	95	51	22	-
TL90-8M-85	90	9W		3020	229.18	227.81	-	170	204	95	51	22	-
TL112-8M-85	112	9W		3020	285.21	283.83	-	170	260	95	51	22	-
TL144-8M-85	144	9A		3525	366.69	365.32	-	198	336	95	65	15	-
TL168-8M-85	168	9A		3525	427.81	426.44	-	198	395	95	65	15	-
TL192-8M-85	192	9A		3525	488.92	487.55	-	198	455	95	65	15	-

Note: 1, Flange dimension: O.D.x I.D.x Thickness.

Timing Pulley HTD 14M-40

14mm Pitch for 40 mm belt width



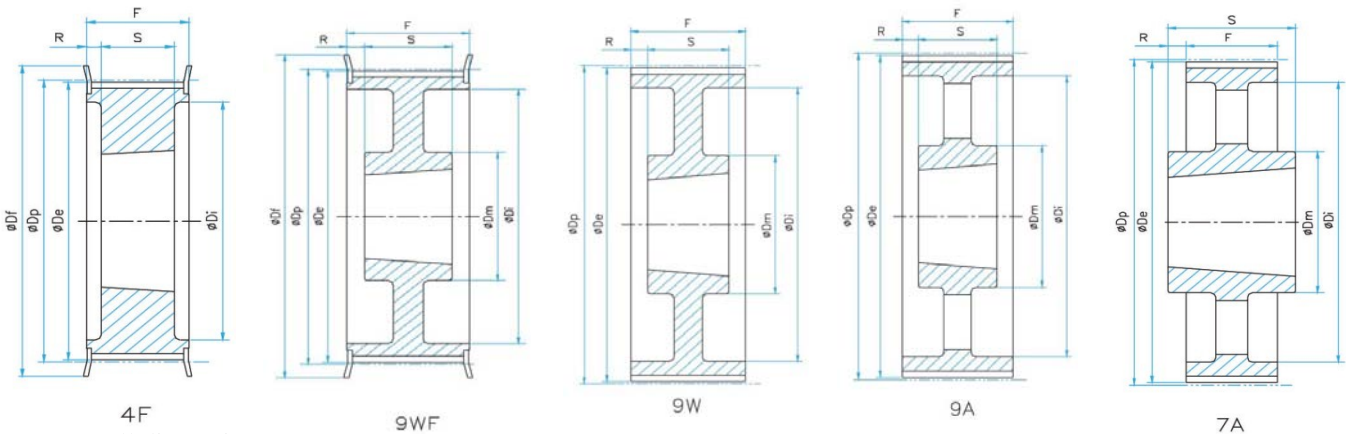
*All dimensions are mm

Part No.	Teeth No.	Confi.	Material	Bush No.	Dp	De	Df	Dm	Di	F	S	R	Flange Dimension
TL28-14M-40	28	4F	STEEL	2012	124.78	122.12	128	-	94	54	32	11	128x107x2.5
TL29-14M-40	29	4F		2012	129.23	126.57	138	-	98	54	32	11	138x112x2.5
TL30-14M-40	30	4F		2012	133.69	130.99	138	-	98	54	32	11	138x112x2.5
TL32-14M-40	32	4F		2012	142.60	139.88	154	-	108	54	32	11	154x122x2.5
TL34-14M-40	34	4F		2517	151.52	148.79	160	-	110	54	45	4.5	160x130x2.5
TL36-14M-40	36	4F		2517	160.43	157.68	168	-	120	54	45	4.5	168x135x2.5
TL38-14M-40	38	4F		2517	169.34	166.60	183	-	130	54	45	4.5	183x145x2.5
TL40-14M-40	40	4F		2517	178.25	175.49	188	-	138	54	45	4.5	188x150x2.5
TL44-14M-40	44	4F		3020	196.08	193.28	211	-	155	54	51	1.5	211x173x2.5
TL48-14M-40	48	4F		3020	213.90	211.11	226	-	170	54	51	1.5	226x190x2.5
TL56-14M-40	56	9WF		3020	249.55	246.76	256	170	208	54	51	1.5	256x225x2.5
TL64-14M-40	64	9WF	CAST IRON	3020	285.21	282.41	296	170	240	54	51	1.5	296x260x2.5
TL72-14M-40	72	9W		3020	320.86	318.06	-	170	280	54	51	1.5	-
TL80-14M-40	80	9A		3020	356.51	353.71	-	170	315	54	51	1.5	-
TL90-14M-40	90	9A		3020	401.07	398.28	-	170	360	54	51	1.5	-
TL112-14M-40	112	9A		3020	499.11	496.32	-	170	457	54	51	1.5	-
TL144-14M-40	144	9A		3020	641.71	638.92	-	170	600	54	51	1.5	-
TL168-14M-40	168	9A		3020	748.66	745.87	-	170	706	54	51	1.5	-
TL192-14M-40	192	9A		3020	855.62	852.82	-	170	813	54	51	1.5	-
TL216-14M-40	216	9A	3020	962.57	959.76	-	170	920	54	51	1.5	-	

Note: 1, Flange dimension: O.D.x I.D.x Thickness.

Timing Pulley HTD 14M-55

14mm Pitch for 55 mm belt width



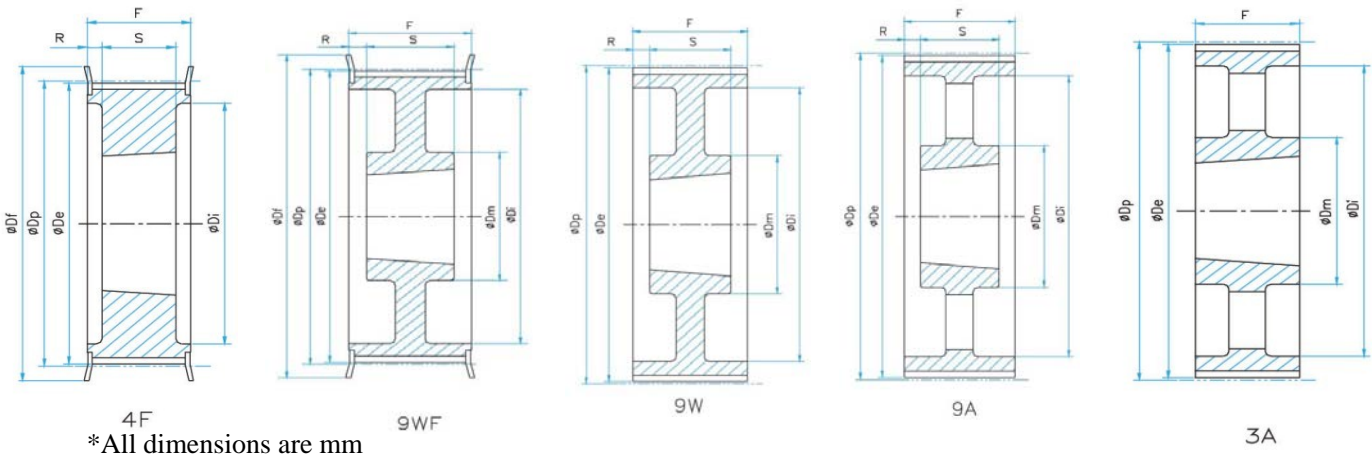
*All dimensions are mm

Part No.	Teeth No.	Confi.	Material	Bush No.	Dp	De	Df	Dm	Di	F	S	R	Flange Dimension
TL28-14M-55	28	4F	STEEL	2012	124.78	122.12	128	-	94	70	32	19	128x107x2.5
TL29-14M-55	29	4F		2012	129.23	126.57	138	-	100	70	32	19	138x112x2.5
TL30-14M-55	30	4F		2517	133.69	130.99	138	-	100	70	45	12.5	138x112x2.5
TL32-14M-55	32	4F		2517	142.60	139.88	154	-	108	70	45	12.5	154x122x2.5
TL34-14M-55	34	4F		2517	151.52	148.79	160	-	110	70	45	12.5	160x130x2.5
TL36-14M-55	36	4F		2517	160.43	157.68	168	-	120	70	45	12.5	168x135x2.5
TL38-14M-55	38	4F		2517	169.34	166.60	183	-	130	70	45	12.5	183x145x2.5
TL40-14M-55	40	4F		2517	178.25	175.49	188	-	138	70	45	12.5	188x150x2.5
TL44-14M-55	44	4F		3020	196.08	193.28	211	-	155	70	51	9.5	211x173x2.5
TL48-14M-55	48	4F		3020	213.90	211.11	226	-	170	70	51	9.5	226x190x2.5
TL56-14M-55	56	9WF		3020	249.55	246.76	256	170	208	70	51	9.5	256x225x2.5
TL64-14M-55	64	9WF	CAST IRON	3020	285.21	282.41	296	170	240	70	51	9.5	296x260x2.5
TL72-14M-55	72	9W		3020	320.86	318.06	-	170	280	70	51	9.5	-
TL80-14M-55	80	9A		3020	356.51	353.71	-	170	315	70	51	9.5	-
TL90-14M-55	90	9A		3020	401.07	398.28	-	170	360	70	51	9.5	-
TL112-14M-55	112	9A		3020	499.11	496.32	-	170	457	70	51	9.5	-
TL144-14M-55	144	9A		3020	641.71	638.92	-	170	600	70	51	9.5	-
TL168-14M-55	168	9A		3020	748.66	745.87	-	170	706	70	51	9.5	-
TL192-14M-55	192	9A		3020	855.62	852.82	-	170	813	70	51	9.5	-
TL216-14M-55	216	7A	3535	962.57	959.76	-	190	920	70	89	9.5	-	

Note: 1, Flange dimension: O.D.x I.D.x Thickness.

Timing Pulley HTD 14M-85

14mm Pitch for 85 mm belt width

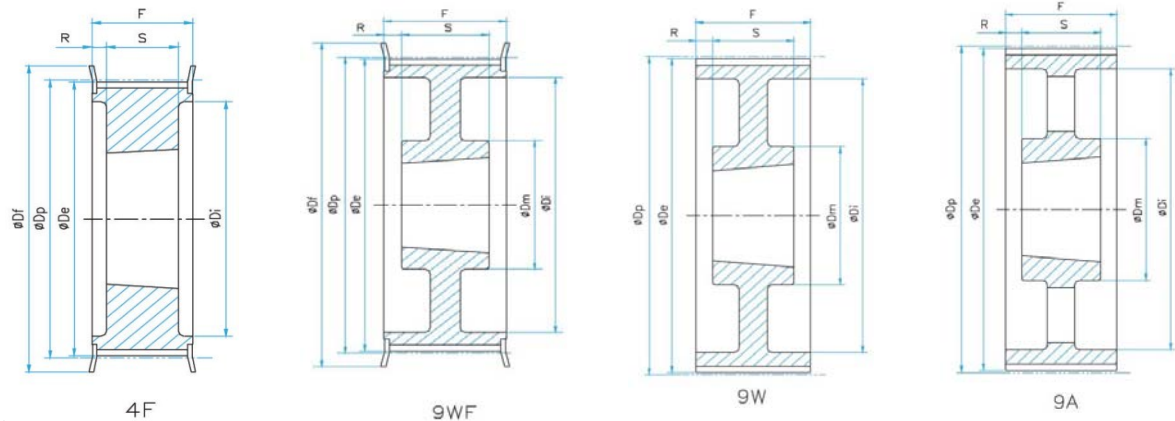


Part No.	Teeth No.	Confi.	Material	Bush No.	Dp	De	Df	Dm	Di	F	S	R	Flange Dimension
TL28-14M-85	28	4F	STEEL	2517	124.78	122.12	128	-	98	102	45	28.5	128x107x2.5
TL29-14M-85	29	4F		2517	129.23	126.57	138	-	100	102	45	28.5	138x112x2.5
TL30-14M-85	30	4F		2517	133.69	130.99	138	-	100	102	45	28.5	138x112x2.5
TL32-14M-85	32	4F		2517	142.60	139.88	154	-	108	102	45	28.5	154x122x2.5
TL34-14M-85	34	4F		2517	151.52	148.79	160	-	110	102	45	28.5	160x130x2.5
TL36-14M-85	36	4F		3020	160.43	157.68	168	-	120	102	51	25.5	168x135x2.5
TL38-14M-85	38	4F		3020	169.34	166.60	183	-	130	102	51	25.5	183x145x2.5
TL40-14M-85	40	4F		3020	178.25	175.49	188	-	138	102	51	25.5	188x150x2.5
TL44-14M-85	44	4F		3020	196.08	193.28	211	-	153	102	51	25.5	211x173x2.5
TL48-14M-85	48	4F		3020	213.90	211.11	226	-	170	102	51	25.5	226x190x2.5
TL56-14M-85	56	4F		3525	249.55	246.76	256	170	210	102	65	18.5	256x225x2.5
TL64-14M-85	64	9WF	CAST IRON	3525	285.21	282.41	296	170	240	102	65	18.5	296x260x2.5
TL72-14M-85	72	9W		3525	320.86	318.06	-	170	280	102	65	18.5	-
TL80-14M-85	80	9A		3525	356.51	353.71	-	170	315	102	65	18.5	-
TL90-14M-85	90	9A		3525	401.07	398.28	-	170	360	102	65	18.5	-
TL112-14M-85	112	9A		3525	499.11	496.32	-	170	457	102	65	18.5	-
TL144-14M-85	144	9A		3525	641.71	638.92	-	170	600	102	65	18.5	-
TL168-14M-85	168	9A		3525	748.66	745.87	-	170	706	102	65	18.5	-
TL192-14M-85	192	3A		4040	855.62	852.82	-	170	813	102	102	-	-
TL216-14M-85	216	3A	4040	962.57	959.76	-	190	920	102	102	-	-	

Note: 1, Flange dimension: O.D.x I.D.x Thickness.

Timing Pulley HTD 14M-115

14mm Pitch for 115 mm belt width



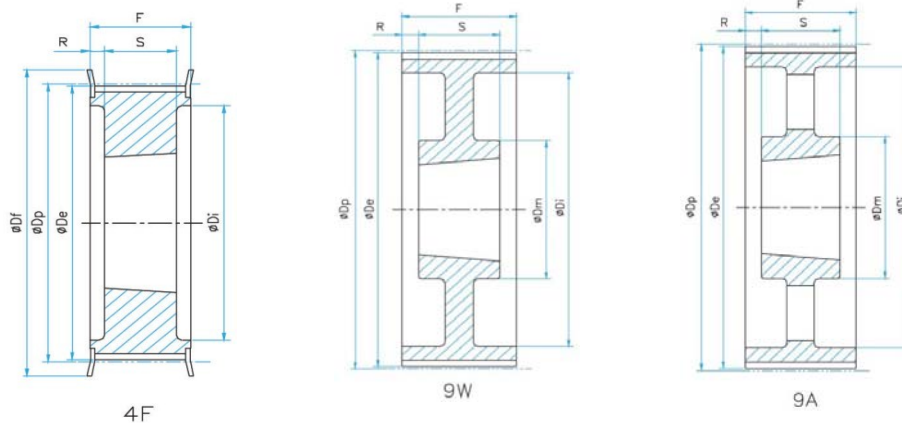
*All dimensions are mm

Part No.	Teeth No.	Confi.	Material	Bush No.	Dp	De	Df	Dm	Di	F	S	R	Flange Dimension
TL28-14M-115	28	4F	STEEL	2517	124.78	122.12	128	-	98	133	45	44	128x107x2.5
TL29-14M-115	29	4F		2517	129.23	126.57	138	-	100	133	45	44	138x112x2.5
TL30-14M-115	30	4F		2517	133.69	130.99	138	-	100	133	45	44	138x112x2.5
TL32-14M-115	32	4F		2517	142.60	139.88	154	-	108	133	45	44	154x122x2.5
TL34-14M-115	34	4F		2517	151.52	148.79	160	-	110	133	45	44	160x130x2.5
TL36-14M-115	36	4F		3020	160.43	157.68	168	-	125	133	51	41	168x135x2.5
TL38-14M-115	38	4F		3020	169.34	166.60	183	-	130	133	51	41	183x145x2.5
TL40-14M-115	40	4F		3020	178.25	175.49	188	-	138	133	51	41	188x150x2.5
TL44-14M-115	44	4F		3020	196.08	193.28	211	-	155	133	76	28.5	211x173x2.5
TL48-14M-115	48	4F		3020	213.90	211.11	226	-	170	133	76	28.5	226x190x2.5
TL56-14M-115	56	4F		3535	249.55	246.76	256	-	208	133	89	22	256x225x2.5
TL64-14M-115	64	9WF	CAST IRON	3535	285.21	282.41	296	190	240	133	89	22	296x260x2.5
TL72-14M-115	72	9W		3535	320.86	318.06	-	190	280	133	89	22	-
TL80-14M-115	80	9A		3535	356.51	353.71	-	190	315	133	89	22	-
TL90-14M-115	90	9A		3535	401.07	398.28	-	190	360	133	89	22	-
TL112-14M-115	112	9A		3535	499.11	496.32	-	190	457	133	89	22	-
TL144-14M-115	144	9A		4040	641.71	638.92	-	230	600	133	102	15.5	-
TL168-14M-115	168	9A		4040	748.66	745.87	-	230	706	133	102	15.5	-
TL192-14M-115	192	9A		4040	855.62	852.82	-	230	813	133	102	15.5	-
TL216-14M-115	216	9A	4040	962.57	959.76	-	230	920	133	102	15.5	-	

Note: 1, Flange dimension: O.D.x I.D.x Thickness.

Timing Pulley HTD 14M-170

14mm Pitch for 170 mm belt width



*All dimensions are mm

Part No.	Teeth No.	Confi.	Material	Bush No.	Dp	De	Df	Dm	Di	F	S	R	Flange Dimension
TL38-14M-170	38	4F	STEEL	3030	169.34	166.60	183	-	130	187	76	55.5	183x145x2.5
TL40-14M-170	40	4F		3030	178.25	175.49	188	-	138	187	76	55.5	188x150x2.5
TL44-14M-170	44	4F		3535	196.08	193.28	211	-	153	187	89	49	211x173x2.5
TL48-14M-170	48	4F		3535	213.90	211.11	226	-	170	187	89	49	226x190x2.5
TL56-14M-170	56	4F		3535	249.55	246.76	256	-	208	187	89	49	256x225x2.5
TL64-14M-170	64	4F	CAST IRON	4040	285.21	282.41	296	-	240	187	102	42.5	296x260x2.5
TL72-14M-170	72	9W		4040	320.86	318.06	-	230	280	187	102	42.5	-
TL80-14M-170	80	9W		4040	356.51	353.71	-	230	315	187	102	42.5	-
TL90-14M-170	90	9A		4040	401.07	398.28	-	230	360	187	102	42.5	-
TL112-14M-170	112	9A		5050	499.11	496.32	-	265	457	187	127	30	-
TL144-14M-170	144	9A		5050	641.71	638.92	-	265	600	187	127	30	-
TL168-14M-170	168	9A		5050	748.66	745.87	-	265	706	187	127	30	-
TL192-14M-170	192	9A		5050	855.62	852.82	-	265	813	187	127	30	-
TL216-14M-170	216	9A		5050	962.57	959.76	-	265	920	187	127	30	-

Note: 1, Flange dimension: O.D.x I.D.x Thickness.