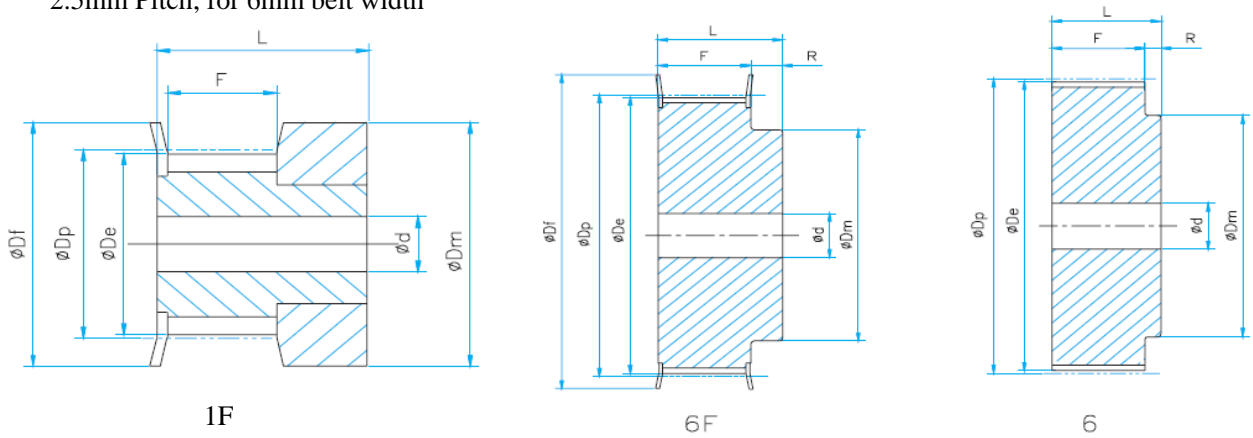


## Timing Pulley

### 16T2.5

2.5mm Pitch, for 6mm belt width



\*All dimensions are mm

Part No.	Teeth No.	Config.	Material	Dp	De	Df	Hub Dia. Dm	Width F	Length L	Bore d	Flange Dimension
16T2.5-12-2	12	1F	Alu.	9.60	9.00	13	13	9	16	-	13x6x0.5
16T2.5-14-2	14	1F	Alu.	11.20	10.60	15	15	9	16	-	15x8x0.5
16T2.5-15-2	15	1F	Alu.	12.00	11.40	15	15	9	16	-	15x8x0.5
16T2.5-16-2	16	1F	Alu.	12.80	12.20	16	16	9	16	-	16x9.5x0.5
16T2.5-18-2	18	6F	Alu.	14.40	13.80	17.5	10	10	16	-	17.5x11.6x0.5
16T2.5-19-2	19	6F	Alu.	15.20	14.60	20	10	10	16	-	20x12.2x0.5
16T2.5-20-2	20	6F	Alu.	16.00	15.40	20	11	10	16	-	20x12.2x0.5
16T2.5-22-2	22	6F	Alu.	17.60	17.00	22	11	10	16	-	22x14.5x0.5
16T2.5-24-2	24	6F	Alu.	19.15	18.55	22	12	10	16	-	22x14.5x0.5
16T2.5-25-2	25	6F	Alu.	19.95	19.35	23	13	10	16	-	25x14.5x0.5
16T2.5-26-2	26	6F	Alu.	20.75	20.15	26	14	10	16	-	26x17.8x0.5
16T2.5-28-2	28	6F	Alu.	22.35	21.75	26	14	10	16	-	26x17.8x0.5
16T2.5-30-2	30	6F	Alu.	23.95	23.35	28	16	10	16	6	28x20x0.5
16T2.5-32-2	32	6F	Alu.	25.55	24.95	32	16	10	16	6	32x23x0.5
16T2.5-36-2	36	6F	Alu.	28.75	28.10	36	20	10	16	6	36x25x0.5
16T2.5-40-2	40	6F	Alu.	31.90	31.30	38	22	10	16	6	38x26.5x0.5
16T2.5-44-0	44	6	Alu.	35.10	34.50	-	24	10	16	6	-
16T2.5-48-0	48	6	Alu.	38.30	37.70	-	26	10	16	6	-
16T2.5-60-0	60	6	Alu.	47.85	47.25	-	34	10	16	8	-

Note: 1, Setscrew hole available with request;

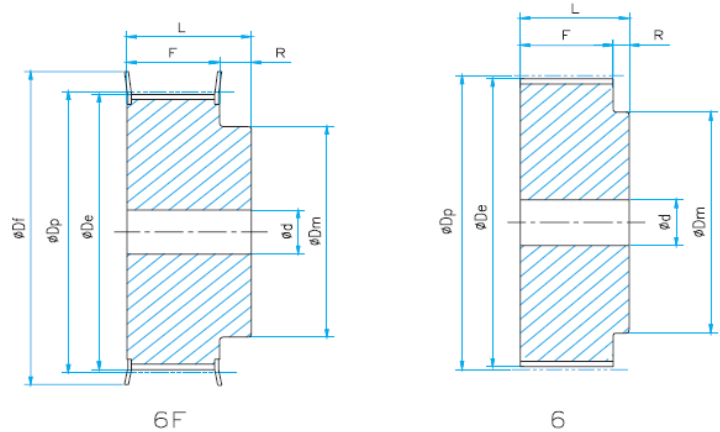
2, Center hole provided if there is no bore size listed;

3, Flange dimension: O.D.x I.D.x Thickness.

## Timing Pulley

### 21T5

5mm Pitch, for 10mm belt width



\*All dimensions are mm

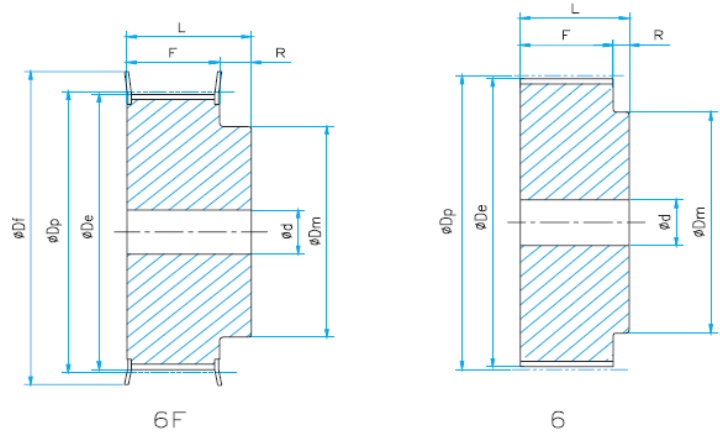
Part No.	Teeth No.	Config.	Material	Dp	De	Df	Hub Dia. Dm	Width F	Length L	Bore d	Flange Dimension
21T5-10-2	10	6F	Alu.	16.05	15.05	19.5	8	15	21	-	19.5x12x1.0
21T5-12-2	12	6F	Alu.	19.25	18.25	23	11	15	21	-	23x12.5x1.0
21T5-14-2	14	6F	Alu.	22.45	21.45	25	13	15	21	-	25x15x1.0
21T5-15-2	15	6F	Alu.	24.05	23.05	28	16	15	21	-	28x17.8x1.0
21T5-16-2	16	6F	Alu.	25.60	24.60	32	18	15	21	-	32x20x1.0
21T5-18-2	18	6F	Alu.	28.80	27.80	32	20	15	21	-	32x23x1.0
21T5-19-2	19	6F	Alu.	30.40	29.40	36	20	15	21	-	36x25x1.0
21T5-20-2	20	6F	Alu.	32.00	31.00	36	22	15	21	-	36x25x1.0
21T5-22-2	22	6F	Alu.	32.15	34.15	38	23	15	21	-	38x26.5x1.0
21T5-24-2	24	6F	Alu.	38.40	37.40	42	24	15	21	-	42x30.5x1.0
21T5-25-2	25	6F	Alu.	39.95	38.95	44	26	15	21	-	44x32.5x1.0
21T5-26-2	26	6F	Alu.	41.60	40.60	44	26	15	21	-	44x32.5x1.0
21T5-27-2	27	6F	Alu.	43.20	42.20	48	30	15	21	8	48x37x1.0
21T5-28-2	28	6F	Alu.	44.75	43.75	48	32	15	21	8	48x37x1.0
21T5-30-2	30	6F	Alu.	47.95	46.95	51	34	15	21	8	51x40x1.0
21T5-32-2	32	6F	Alu.	51.10	50.10	54	38	15	21	8	54x43x1.0
21T5-36-2	36	6F	Alu.	57.45	56.45	64	38	15	21	8	64x47x1.0
21T5-40-2	40	6F	Alu.	63.85	62.85	66.5	40	15	21	8	66.5x52x1.0
21T5-42-2	42	6F	Alu.	67	66	70	40	15	21	8	70x53x1.0
21T5-44-0	44	6	Alu.	70.20	69.20	-	45	15	21	8	-
21T5-48-0	48	6	Alu.	76.55	75.55	-	50	15	21	8	-
21T5-60-0	60	6	Alu.	95.65	94.65	-	65	15	21	8	-

- Note: 1, Setscrew hole available with request;  
 2, Center hole provided if there is no bore size listed;  
 3, Flange dimension: O.D.x I.D.x Thickness.

## Timing Pulley

### 27T5

5mm Pitch, for 16mm belt width



\*All dimensions are mm

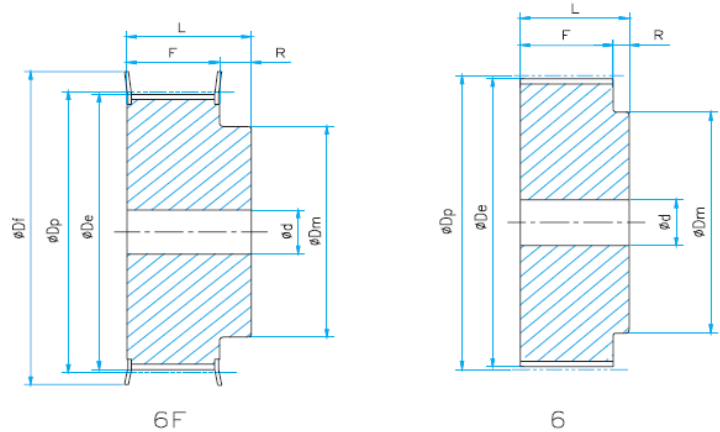
Part No.	Teeth No.	Config.	Material	Dp	De	Df	Hub Dia. Dm	Width F	Length L	Bore d	Flange Dimension
27T5-10-2	10	6F	Alu.	16.05	15.05	19.5	8	21	27	-	19.5x12x1.0
27T5-12-2	12	6F	Alu.	19.25	18.25	23	11	21	27	-	23x12.5x1.0
27T5-14-2	14	6F	Alu.	22.45	21.45	25	13	21	27	-	25x15x1.0
27T5-15-2	15	6F	Alu.	24.05	23.05	28	16	21	27	-	28x17.8x1.0
27T5-16-2	16	6F	Alu.	25.60	24.60	32	18	21	27	-	32x20x1.0
27T5-18-2	18	6F	Alu.	28.80	27.80	32	20	21	27	-	32x23x1.0
27T5-19-2	19	6F	Alu.	30.40	29.40	36	20	21	27	-	36x25x1.0
27T5-20-2	20	6F	Alu.	32.00	31.00	36	22	21	27	-	36x25x1.0
27T5-22-2	22	6F	Alu.	32.15	34.15	38	23	21	27	-	38x26.5x1.0
21T5-24-2	24	6F	Alu.	38.40	37.40	42	24	21	27	-	42x30.5x1.0
27T5-25-2	25	6F	Alu.	39.95	38.95	44	26	21	27	-	44x32.5x1.0
27T5-26-2	26	6F	Alu.	41.60	40.60	44	26	21	27	-	44x32.5x1.0
27T5-27-2	27	6F	Alu.	43.20	42.20	48	30	21	27	8	48x37x1.0
27T5-28-2	28	6F	Alu.	44.75	43.75	48	32	21	27	8	48x37x1.0
27T5-30-2	30	6F	Alu.	47.95	46.95	51	34	21	27	8	51x40x1.0
27T5-32-2	32	6F	Alu.	51.10	50.10	54	38	21	27	8	54x43x1.0
27T5-36-2	36	6F	Alu.	57.45	56.45	64	38	21	27	8	64x47x1.0
27T5-40-2	40	6F	Alu.	63.85	62.85	66.5	40	21	27	8	66.5x52x1.0
27T5-42-2	42	6F	Alu.	67	66	70	40	21	27	8	70x53x1.0
27T5-44-0	44	6	Alu.	70.20	69.20	-	45	21	27	8	-
27T5-48-0	48	6	Alu.	76.55	75.55	-	50	21	27	8	-
27T5-60-0	60	6	Alu.	95.65	94.65	-	65	21	27	8	-

- Note: 1, Setscrew hole available with request;  
 2, Center hole provided if there is no bore size listed;  
 3, Flange dimension: O.D.x I.D.x Thickness.

## Timing Pulley

### 36T5

5mm Pitch, for 25mm belt width



\*All dimensions are mm

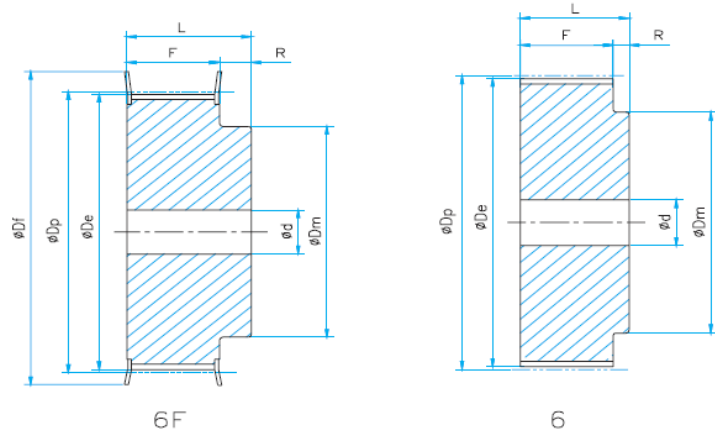
Part No.	Teeth No.	Config.	Material	Dp	De	Df	Hub Dia. Dm	Width F	Length L	Bore d	Flange Dimension
36T5-10-2	10	6F	Alu.	16.05	15.05	19.5	8	30	36	-	19.5x12x1.0
36T5-12-2	12	6F	Alu.	19.25	18.25	23	11	30	36	-	23x12.5x1.0
36T5-14-2	14	6F	Alu.	22.45	21.45	25	13	30	36	-	25x15x1.0
36T5-15-2	15	6F	Alu.	24.05	23.05	28	16	30	36	-	28x17.8x1.0
36T5-16-2	16	6F	Alu.	25.60	24.60	32	18	30	36	-	32x20x1.0
36T5-18-2	18	6F	Alu.	28.80	27.80	32	20	30	36	-	32x23x1.0
36T5-19-2	19	6F	Alu.	30.40	29.40	36	20	30	36	-	36x25x1.0
36T5-20-2	20	6F	Alu.	32.00	31.00	36	22	30	36	-	36x25x1.0
36T5-22-2	22	6F	Alu.	32.15	34.15	38	23	30	36	-	38x26.5x1.0
36T5-24-2	24	6F	Alu.	38.40	37.40	42	24	30	36	-	42x30.5x1.0
36T5-25-2	25	6F	Alu.	39.95	38.95	44	26	30	36	-	44x32.5x1.0
36T5-26-2	26	6F	Alu.	41.60	40.60	44	26	30	36	-	44x32.5x1.0
36T5-27-2	27	6F	Alu.	43.20	42.20	48	30	30	36	8	48x37x1.0
36T5-28-2	28	6F	Alu.	44.75	43.75	48	32	30	36	8	48x37x1.0
36T5-30-2	30	6F	Alu.	47.95	46.95	51	34	30	36	8	51x40x1.0
36T5-32-2	32	6F	Alu.	51.10	50.10	54	38	30	36	8	54x43x1.0
36T5-36-2	36	6F	Alu.	57.45	56.45	64	38	30	36	8	64x47x1.0
36T5-40-2	40	6F	Alu.	63.85	62.85	66.5	40	30	36	8	66.5x52x1.0
36T5-42-2	42	6F	Alu.	67	66	70	40	30	36	8	70x53x1.0
36T5-44-0	44	6	Alu.	70.20	69.20	-	45	30	36	8	-
36T5-48-0	48	6	Alu.	76.55	75.55	-	50	30	36	8	-
36T5-60-0	60	6	Alu.	95.65	94.65	-	65	30	36	8	-

- Note: 1, Setscrew hole available with request;  
 2, Center hole provided if there is no bore size listed;  
 3, Flange dimension: O.D.x I.D.x Thickness.

## Timing Pulley

### 31T10

10mm Pitch, for 16mm belt width



\*All dimensions are mm

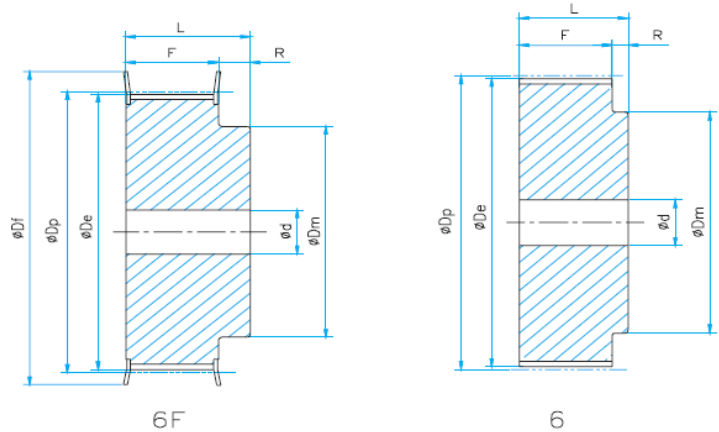
Part No.	Teeth No.	Config.	Material	Dp	De	Df	Hub Dia. Dm	Width F	Length L	Bore d	Flange Dimension
31T10-12-2	12	6F	Alu.	38.35	36.35	42	28	21	31	6	42x30.5x1.0
31T10-14-2	14	6F	Alu.	44.70	42.70	48	32	21	31	8	48x37x1.0
31T10-15-2	15	6F	Alu.	47.90	45.90	51	32	21	31	8	51x40x1.0
31T10-16-2	16	6F	Alu.	51.10	49.10	54	35	21	31	8	54x43x1.0
31T10-18-2	18	6F	Alu.	57.45	55.45	60	40	21	31	8	60x47x1.0
31T10-19-2	19	6F	Alu.	60.65	58.65	66	44	21	31	8	66.5x52x1.0
31T10-20-2	20	6F	Alu.	63.80	61.80	66	46	21	31	8	66.5x52x1.0
31T10-22-2	22	6F	Alu.	70.20	68.20	75	52	21	31	8	75x60x1.0
31T10-24-2	24	6F	Alu.	76.55	74.55	83	58	21	31	8	83x68x1.0
31T10-25-2	25	6F	Alu.	79.75	77.70	83	60	21	31	8	83x68x1.0
31T10-26-2	26	6F	Alu.	82.90	80.90	87	60	21	31	8	87x72x1.0
31T10-27-2	27	6F	Alu.	86.10	84.10	91	60	21	31	8	91x76x1.0
31T10-28-2	28	6F	Alu.	89.25	87.25	93	60	21	31	8	93x80x1.0
31T10-30-2	30	6F	Alu.	95.65	93.65	97	60	21	31	8	97x83x1.0
31T10-32-2	32	6F	Alu.	102.00	100.00	106	65	21	31	10	106x90x1.0
31T10-36-2	36	6F	Alu.	114.75	112.75	119	70	21	31	10	119x103x1.0
31T10-40-2	40	6F	Alu.	127.45	125.45	131	80	21	31	10	131x115x1.0
31T10-44-0	44	6	Alu.	140.20	138.20	-	88	21	31	10	-
31T10-48-0	48	6	Alu.	152.95	150.95	-	95	21	31	16	-
31T10-60-0	60	6	Alu.	191.10	189.10	-	110	21	31	16	-

- Note: 1, Setscrew hole available with request;  
 2, Center hole provided if there is no bore size listed;  
 3, Flange dimension: O.D.x I.D.x Thickness.

## Timing Pulley

### 40T10

10mm Pitch, for 25mm belt width



\*All dimensions are mm

Part No.	Teeth No.	Config.	Material	Dp	De	Df	Hub Dia. Dm	Width F	Length L	Bore d	Flange Dimension
40T10-12-2	12	6F	Alu.	38.35	36.35	42	28	30	40	6	42x30.5x1.0
40T10-14-2	14	6F	Alu.	44.70	42.70	48	32	30	40	8	48x37x1.0
40T10-15-2	15	6F	Alu.	47.90	45.90	51	32	30	40	8	51x40x1.0
40T10-16-2	16	6F	Alu.	51.10	49.10	54	35	30	40	8	54x43x1.0
40T10-18-2	18	6F	Alu.	57.45	55.45	60	40	30	40	8	60x47x1.0
40T10-19-2	19	6F	Alu.	60.65	58.65	66	44	30	40	8	66.5x52x1.0
40T10-20-2	20	6F	Alu.	63.80	61.80	66	46	30	40	8	66.5x52x1.0
40T10-22-2	22	6F	Alu.	70.20	68.20	75	52	30	40	8	75x60x1.0
40T10-24-2	24	6F	Alu.	76.55	74.55	83	58	30	40	8	83x68x1.0
40T10-25-2	25	6F	Alu.	79.75	77.70	83	60	30	40	8	83x68x1.0
40T10-26-2	26	6F	Alu.	82.90	80.90	87	60	30	40	8	87x72x1.0
40T10-27-2	27	6F	Alu.	86.10	84.10	91	60	30	40	8	91x76x1.0
40T10-28-2	28	6F	Alu.	89.25	87.25	93	60	30	40	8	93x80x1.0
40T10-30-2	30	6F	Alu.	95.65	93.65	97	60	30	40	8	97x83x1.0
40T10-32-2	32	6F	Alu.	102.00	100.00	106	65	30	40	10	106x90x1.0
40T10-36-2	36	6F	Alu.	114.75	112.75	119	70	30	40	10	119x103x1.0
40T10-40-2	40	6F	Alu.	127.45	125.45	131	80	30	40	10	131x115x1.0
40T10-44-0	44	6	Alu.	140.20	138.20	-	88	30	40	10	-
40T10-48-0	48	6	Alu.	152.95	150.95	-	95	30	40	16	-
40T10-60-0	60	6	Alu.	191.10	189.10	-	110	30	40	16	-

Note: 1, Setscrew hole available with request;

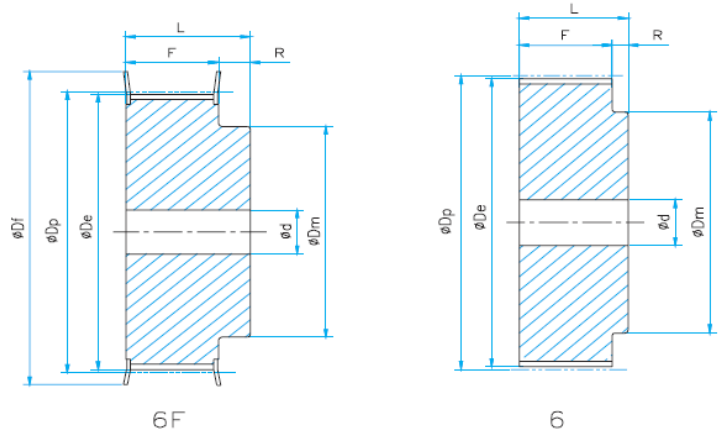
2, Center hole provided if there is no bore size listed;

3, Flange dimension: O.D.x I.D.x Thickness.

## Timing Pulley

### 47T10

10mm Pitch, for 32mm belt width



\*All dimensions are mm

Part No.	Teeth No.	Config.	Material	Dp	De	Df	Hub Dia. Dm	Width F	Length L	Bore d	Flange Dimension
47T10-18-2	18	6F	Alu.	57.45	55.45	60	40	37	47	10	60x47x1.0
47T10-19-2	19	6F	Alu.	60.65	58.65	66	44	37	47	10	66.5x52x1.0
47T10-20-2	20	6F	Alu.	63.80	61.80	66	46	37	47	12	66.5x52x1.0
47T10-22-2	22	6F	Alu.	70.20	68.20	75	52	37	47	12	75x60x1.0
47T10-24-2	24	6F	Alu.	76.55	74.55	83	58	37	47	12	83x68x1.0
47T10-25-2	25	6F	Alu.	79.75	77.70	83	60	37	47	12	83x68x1.0
47T10-26-2	26	6F	Alu.	82.90	80.90	87	60	37	47	12	87x72x1.0
47T10-27-2	27	6F	Alu.	86.10	84.10	91	60	37	47	12	91x76x1.0
47T10-28-2	28	6F	Alu.	89.25	87.25	93	60	37	47	12	93x80x1.0
47T10-30-2	30	6F	Alu.	95.65	93.65	97	60	37	47	12	97x83x1.0
47T10-32-2	32	6F	Alu.	102.00	100.00	106	65	37	47	12	106x90x1.0
47T10-36-2	36	6F	Alu.	114.75	112.75	119	70	37	47	16	119x103x1.0
47T10-40-2	40	6F	Alu.	127.45	125.45	131	80	37	47	16	131x115x1.0
47T10-44-0	44	6	Alu.	140.20	138.20	-	88	37	47	16	-
47T10-48-0	48	6	Alu.	152.95	150.95	-	95	37	47	16	-
47T10-60-0	60	6	Alu.	191.10	189.10	-	110	37	47	16	-

Note: 1, Setscrew hole available with request;

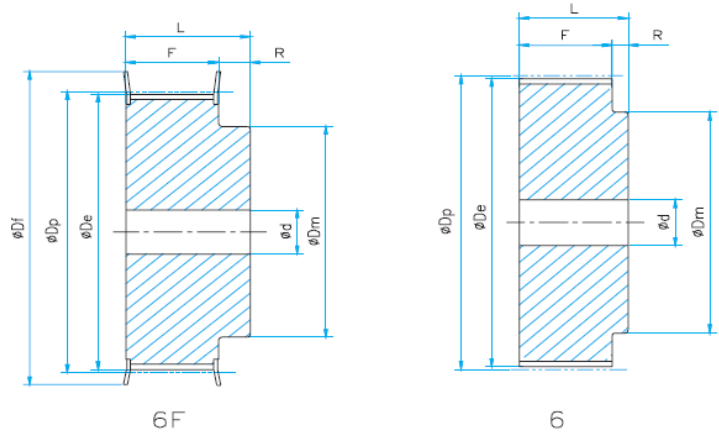
2, Center hole provided if there is no bore size listed;

3, Flange dimension: O.D.x I.D.x Thickness.

## Timing Pulley

### 66T10

10mm Pitch, for 50mm belt width



\*All dimensions are mm

Part No.	Teeth No.	Config.	Material	Dp	De	Df	Hub Dia. Dm	Width F	Length L	Bore d	Flange Dimension
66T10-18-2	18	6F	Alu.	57.45	55.45	60	40	56	66	10	60x47x1.0
66T10-19-2	19	6F	Alu.	60.65	58.65	66	44	56	66	10	66.5x52x1.0
66T10-20-2	20	6F	Alu.	63.80	61.80	66	46	56	66	12	66.5x52x1.0
66T10-22-2	22	6F	Alu.	70.20	68.20	75	52	56	66	12	75x60x1.0
66T10-24-2	24	6F	Alu.	76.55	74.55	83	58	56	66	12	83x68x1.0
66T10-25-2	25	6F	Alu.	79.75	77.70	83	60	56	66	12	83x68x1.0
66T10-26-2	26	6F	Alu.	82.90	80.90	87	60	56	66	12	87x72x1.0
66T10-27-2	27	6F	Alu.	86.10	84.10	91	60	56	66	12	91x76x1.0
66T10-28-2	28	6F	Alu.	89.25	87.25	93	60	56	66	12	93x80x1.0
66T10-30-2	30	6F	Alu.	95.65	93.65	97	60	56	66	12	97x83x1.0
66T10-32-2	32	6F	Alu.	102.00	100.00	106	65	56	66	12	106x90x1.0
66T10-36-2	36	6F	Alu.	114.75	112.75	119	70	56	66	16	119x103x1.0
66T10-40-2	40	6F	Alu.	127.45	125.45	131	80	56	66	16	131x115x1.0
66T10-44-0	44	6	Alu.	140.20	138.20	-	88	56	66	16	-
66T10-48-0	48	6	Alu.	152.95	150.95	-	95	56	66	16	-
66T10-60-0	60	6	Alu.	191.10	189.10	-	110	56	66	16	-

Note: 1, Setscrew hole available with request;

2, Center hole provided if there is no bore size listed;

3, Flange dimension: O.D.x I.D.x Thickness.