



## Keyless Shaft Locking Assemblies /Locking Devices/Locking Elements/Power Locks

### LD192

Recommended Application Tolerance:

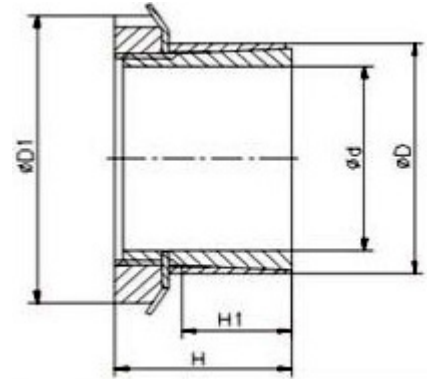
Shaft: h8

Hub: H8

Roughness: Bore & O.D. 1.6um

Non-interface: 1.6-3.2um

Interchangeable with KLFF, RCK55, TLK250L



Dimensions					Transmissible Axial Force	Transmissible Torque	Interface Pressure(N/mm <sup>2</sup> )		Thread		
mm	mm	mm	mm	mm	KN	Nm	Bore/shaft	Hub	Quantity	Size	Tightening Torque Nm
Φd	ΦD	ΦD1	H	h1	Ft	Mt	P	P1	n	Code x length	
15	25	32	31	20	9	77	91	55	1	M20x1	95
18	30	38	33	21	13	125	98	59	1	M25x1.5	160
19	30	38	33	21	13	132	93	59	1	M25x1.5	160
20	30	38	33	21	13	139	88	59	1	M25x1.5	160
24	35	45	38	25	15	202	74	51	1	M30x1.5	220
25	35	45	38	25	15	210	71	51	1	M30x1.5	220
28	40	52	44	28	20	312	76	53	1	M35x1.5	340
30	40	52	44	28	20	335	71	53	1	M35x1.5	340
35	45	58	45	28	25	483	75	58	1	M40x1.5	480
40	50	65	46	28	31	696	82	66	1	M45x1.5	680
45	55	70	47	28	36	902	84	69	1	M50x1.5	870
50	60	75	47	28	37	1014	77	64	1	M55x2	970
55	65	80	48	28	38	1158	73	61	1	M60x2	1100
60	70	85	50	28	41	1379	73	62	1	M65x2	1300