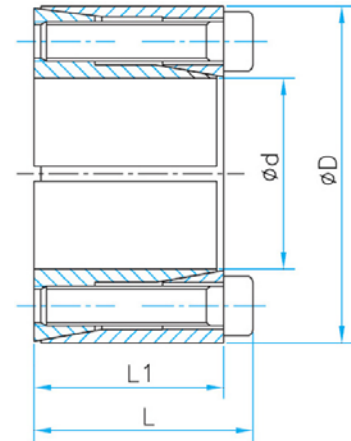




## Keyless Shaft Locking Assembly /Locking Device/Locking Elements/Power Lock

### LD150



Recommended Application Tolerance:

Shaft: h7-h8

Hub: H7-H8

Roughness: Interface 1.6um

Non-interface: 1.6-3.2um

Interchangeable with TLK350, RCK61, KTR105

Dimensions				Transmissible Axial Force	Transmissible Torque	Interface Pressure(N/mm <sup>2</sup> )		Locking Screws (DIN912, Grade12.9)		
mm	mm	mm	mm	KN	Nm	Bore/shaft	Hub	Quantity	Size	Tightening
Φd	ΦD	L	L1	Ft	Mt	P	P1	n	Code x length	Torque Nm
10	20	15.5	13	3.8	19	89	45	4	M2.5x12	1.2
11	22	15.5	13	3.8	21	81	41	4	M2.5x12	1.2
12	22	15.5	13	3.8	23	75	41	4	M2.5x12	1.2
14	26	20	17	5.5	39	71	38	4	M3x16	2.1
15	28	20	17	5.5	42	66	35	4	M3x16	2.1
16	32	21	17	9.6	77	107	54	4	M4x16	4.9
17	35	25	21	9.6	82	81	40	4	M4x20	4.9
18	35	25	21	9.6	87	77	40	4	M4x20	4.9
19	35	25	21	9.6	91	73	40	4	M4x20	4.9
20	38	26	21	15.7	157	113	60	4	M5x20	10
22	40	26	21	15.7	173	103	57	4	M5x20	10
24	47	32	26	22.3	268	110	56	4	M6x24	17
25	47	32	26	22.3	279	105	56	4	M6x24	17
28	50	32	26	33.5	468	141	79	6	M6x24	17
30	55	32	26	33.5	502	132	72	6	M6x24	17
32	55	32	26	33.5	535	123	72	6	M6x24	17
35	60	37	31	44.6	781	125	73	8	M6x28	17
38	65	37	31	44.6	848	115	67	8	M6x28	17
40	65	37	31	44.6	892	110	67	8	M6x28	17
42	75	44	36	60.6	1272	122	68	6	M8x34	41
45	75	44	36	60.6	1363	113	68	6	M8x34	41
48	80	44	36	80.8	1938	142	85	8	M8x34	41
50	80	44	36	80.8	2019	136	85	8	M8x34	41