



Keyless Shaft Locking Assembly /Locking Device/Locking Elements/Power Lock

LD081

Recommended Application Tolerance:

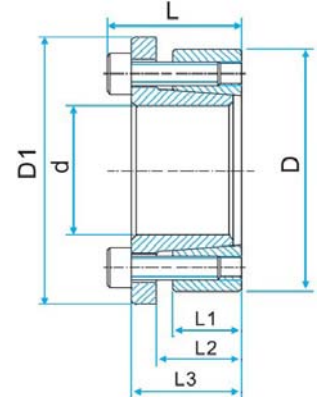
Shaft: h7-h8

Hub: H7-H8

Roughness: Interface 1.6um

Non-interface: 1.6-3.2um

Interchangeable with KLAB, TLK133, RCK16, MAV1061



Dimensions							Transmissible Axial Force	Transmissible Torque	Interface Pressure(N/mm ²)		Locking Screws (DIN912, Grade12.9)		
mm	mm	mm	mm	mm	mm	mm	KN	Nm	Bore/shaft	Hub	Quantity	Size	Tightening
Φd	ΦD	ΦD 1	L1	L2	L3	L	Ft	Mt	P	P1	n	Code x length	Torque Nm
19	47	56	17	22	28	34	26	243	234	94	5	M6x20	17
20	47	56	17	22	28	34	26	256	222	94	5	M6x20	17
22	47	56	17	22	28	34	26	282	202	94	5	M6x20	17
24	50	59	17	22	28	34	31	368	222	106	6	M6x20	17
25	50	59	17	22	28	34	31	383	213	106	6	M6x20	17
28	55	64	17	22	28	34	31	429	190	97	6	M6x20	17
30	55	64	17	22	28	34	31	460	177	97	6	M6x20	17
32	60	69	17	22	28	34	41	655	222	118	8	M6x20	17
35	60	69	17	22	28	34	41	716	203	118	8	M6x20	17
38	65	74	17	22	28	34	41	778	187	109	8	M6x20	17
40	65	74	17	22	28	34	41	819	178	109	8	M6x20	17
42	75	84	20	25	33	41	65	1361	227	127	7	M8x25	41
45	75	84	20	25	33	41	65	1458	212	127	7	M8x25	41
50	80	89	20	25	33	41	65	1620	191	119	7	M8x25	41
55	85	94	20	25	33	41	74	2037	199	129	8	M8x25	41
60	90	99	20	25	33	41	74	2223	182	121	8	M8x25	41
65	95	104	20	25	33	41	83	2710	189	129	9	M8x25	41
70	110	119	24	30	40	50	120	4203	211	134	8	M10x30	83
75	115	124	24	30	40	50	120	4754	197	128	8	M10x30	83
80	120	129	24	30	40	50	120	4804	184	123	8	M10x30	83
85	125	134	24	30	40	50	135	5742	195	133	9	M10x30	83
90	130	139	24	30	40	50	135	6080	184	128	9	M10x30	83
95	135	144	24	30	40	50	150	7131	194	137	10	M10x30	83
100	145	154	26	32	44	56	175	8732	198	137	8	M12x35	145
110	155	164	26	32	44	56	175	9605	180	128	8	M12x35	145
120	165	174	26	32	44	56	196	11787	186	135	9	M12x35	145
130	180	189	34	40	52	64	262	17024	175	126	12	M12x35	145
140	190	199	34	40	54	68	267	18703	166	122	9	M14x40	230
150	200	209	34	40	54	68	297	22259	172	129	10	M14x40	230
160	210	219	34	40	54	68	326	26119	177	135	11	M14x40	230



Chengdu Leno Machinery Co., Ltd

Dimensions							Transmissible Axial Force	Transmissible Torque	Interface Pressure(N/mm ²)		Locking Screws (DIN912, Grade12.9)		
mm	mm	mm	mm	mm	mm	mm	KN	Nm	Bore/shaft	Hub	Quantity	Size	Tightening
Φd	ΦD	ΦD 1	L1	L2	L3	L	Ft	Mt	P	P1	n	Code x length	Torque Nm
170	225	234	44	50	64	78	356	30276	140	106	12	M14x40	230
180	235	244	44	50	64	78	356	32057	133	102	12	M14x40	230
190	250	259	44	50	64	78	445	42302	157	119	15	M14x40	230
200	260	269	44	50	64	78	445	44528	149	115	15	M14x40	230
220	285	295	50	56	75	91	481	52902	129	100	12	M16x50	355
240	305	315	50	56	75	91	601	72135	148	116	15	M16x50	355
260	325	335	50	56	75	91	641	83370	145	116	16	M16x50	355
280	355	365	60	66	87	105	803	112463	141	111	16	M18x50	500
300	375	385	60	66	87	105	904	135562	148	118	18	M18x50	500
320	405	414	74	81	101	121	1234	197493	140	110	18	M20x50	690
340	425	434	74	81	101	121	1440	244816	153	123	21	M20x50	690
360	455	464	86	94	116	138	1512	272218	131	104	18	M22x60	930
380	475	484	86	94	116	138	1764	335239	145	116	21	M22x60	930
400	495	504	86	94	116	138	1764	352884	137	111	21	M22x60	930