



Keyless Shaft Locking Assembly /Locking Device/Locking Elements/Power Lock

LD060

Recommended Application Tolerance:

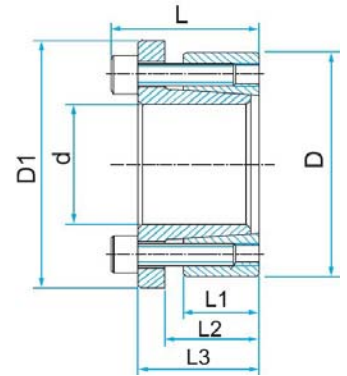
Shaft: h7-h8

Hub: H7-H8

Roughness: Interface 1.6um

Non-interface: 1.6-3.2um

Interchangeable with KLBB, RCK15



Dimensions							Transmissible Axial Force	Transmissible Torque	Interface Pressure(N/mm ²)		Locking Screws (DIN912, Grade12.9)		
mm	mm	mm	mm	mm	mm	mm	KN	Nm	Bore/shaft	Hub	Quantity	Size	Tightening
Φd	ΦD	ΦD 1	L1	L2	L3	L	Ft	Mt	P	P1	n	Code x length	Torque Nm
14	55	62	17	22	31	39	33	234	415	105	4	M8x25	37
16	55	62	17	22	31	39	33	268	363	106	4	M8x25	37
18	55	62	17	22	31	39	37	333	357	117	4	M8x25	41
19	55	62	17	22	31	39	37	352	338	117	4	M8x25	41
20	55	62	17	22	31	39	37	370	321	117	4	M8x25	41
22	55	62	17	22	31	39	37	407	292	117	4	M8x25	41
24	55	62	17	22	31	39	37	445	268	117	4	M8x25	41
25	55	62	17	22	31	39	37	463	257	117	4	M8x25	41
28	55	62	17	22	31	39	37	519	229	117	4	M8x25	41
30	55	62	17	22	31	39	37	556	214	117	4	M8x25	41
24	65	72	17	22	31	39	46	556	335	124	5	M8x25	41
25	65	72	17	22	31	39	46	579	321	124	5	M8x25	41
28	65	72	17	22	31	39	46	649	287	124	5	M8x25	41
30	65	72	17	22	31	39	46	695	268	124	5	M8x25	41
32	65	72	17	22	31	39	46	741	251	124	5	M8x25	41
35	65	72	17	22	31	39	46	811	230	124	5	M8x25	41
38	65	72	17	22	31	39	46	917	211	124	5	M8x25	41
40	65	72	17	22	31	39	46	966	201	124	5	M8x25	41
30	80	87	20	25	33	41	65	972	318	119	7	M8x25	41
32	80	87	20	25	33	41	65	1037	299	119	7	M8x25	41
35	80	87	20	25	33	41	65	1134	273	119	7	M8x25	41
38	80	87	20	25	33	41	65	1231	251	119	7	M8x25	41
40	80	87	20	25	33	41	65	1296	239	119	7	M8x25	41
42	80	87	20	25	33	41	65	1361	227	119	7	M8x25	41
45	80	87	20	25	33	41	65	1458	212	119	7	M8x25	41
48	80	87	20	25	33	41	65	1555	199	119	7	M8x25	41
50	80	87	20	25	33	41	65	1620	191	119	7	M8x25	41