



Keyless Shaft Locking Assembly /Locking Device/Locking Elements/Power Lock

LD010

Recommended Application Tolerance:

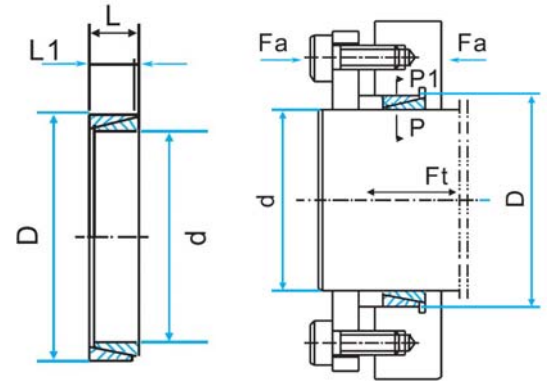
Shaft: h7-h8

Hub: H7-H8

Roughness: Interface 1.6um

Non-interface: 1.6-3.2um

Interchangeable with KLNN, TLK300, RCK50, MAV3003



Dimensions				Axial Force Loaded on the ends	Transmissible Axial Force	Transmissible Torque	Interface Pressure(N/mm ²)	
mm	mm	mm	mm	KN	KN	Nm	Bore/shaft	Hub
Φd	ΦD	L	L1	Fa	Ft	Mt	P	P1
8	11	4.5	3.7	5.0	1.06	4.2	100	70
9	12	4.5	3.7	13.3	1.29	5.8	100	79
10	13	4.5	3.7	14.4	1.53	7.6	100	86
12	15	4.5	3.7	14.5	1.65	9.9	100	80
13	16	4.5	3.7	14.6	1.76	11.5	100	81
14	18	6.3	5.3	23.8	2.70	18.9	100	77
15	19	6.3	5.3	24.3	2.94	22.1	100	79
16	20	6.3	5.3	24.5	3.18	25.4	100	81
17	21	6.3	5.3	24.9	3.29	28.0	100	80
18	22	6.3	5.3	25.3	3.53	31.8	100	82
19	24	6.3	5.3	29.7	3.76	35.8	100	80
20	25	6.3	5.3	30.1	3.88	38.8	100	79
22	26	6.3	5.3	28.9	4.35	47.9	100	86
24	28	6.3	5.3	30.0	4.70	56.4	100	86
25	30	6.3	5.3	32.4	4.94	61.7	100	84
28	32	6.3	5.3	32.6	5.53	77.4	100	88
30	35	6.3	5.3	35.5	5.88	88.2	100	86
32	36	6.3	5.3	36.7	6.23	100	100	88
35	40	7.0	6.0	45.7	7.76	136	100	88
36	42	7.0	6.0	48.2	8.00	144	100	86
38	44	7.0	6.0	49.7	8.47	161	100	87
40	45	8.0	6.6	58.8	9.8	195	100	89
42	48	8.0	6.6	62.6	10.2	215	100	87
45	52	10.0	8.6	92.2	14.3	323	100	87
48	55	10.0	8.6	94.6	15.3	367	100	88
50	57	10.0	8.6	96.5	15.9	397	100	88
55	62	10.0	8.6	101.8	17.4	479	100	88
56	64	12.0	10.4	128.4	21.5	603	100	88
60	68	12.0	10.4	133.4	23.0	691	100	88
63	71	12.0	10.4	137.3	24.2	763	100	89



Chengdu Leno Machinery Co., Ltd

Dimensions				Axial Force Loaded on the ends	Transmissible Axial Force	Transmissible Torque	Interface Pressure(N/mm ²)	
mm	mm	mm	mm	KN	KN	Nm	Bore/shaft	Hub
Φd	ΦD	L	L1	Fa	Ft	Mt	P	P1
65	73	12.0	10.4	140.4	25.0	814	100	89
70	79	14.0	12.2	176.0	31.6	1107	100	89
71	80	14.0	12.2	178	32.0	1136	100	89
75	84	14.0	12.2	189.6	33.8	1266	100	89
80	91	17.0	15.0	251.0	44.2	1769	100	88
90	101	17.0	15.0	272.4	49.9	2244	100	89
100	114	21.0	18.7	377.7	69.0	3452	100	88
110	124	21.0	18.7	415.0	76.0	4178	100	89
120	134	21.0	18.7	440.2	82.8	4967	100	89
130	148	28.0	25.3	654.2	121	7896	100	88
140	158	28.0	25.3	689.0	131	9146	100	89
150	168	28.0	25.3	727.5	140	10505	100	89
160	178	28.0	25.3	764.5	149	11948	100	90
170	191	33.0	30.0	982.5	188	16014	100	89
180	201	33.0	30.0	1027.2	199	17950	100	90
190	211	33.0	30.0	1071	210	19987	100	90
200	224	38.0	34.8	1314	257	25696	100	89
210	234	38.0	34.8	1366	270	28326	100	90
220	244	38.0	34.8	1420	283	31098	100	90
230	257	43.0	39.5	1705	335	38570	100	89
240	267	43.0	39.5	1767.5	351	42068	100	90
250	280	48.0	44.0	2060	407	50906	100	90
260	290	48.0	44.0	2132	425	55205	100	90
270	300	48.0	44.0	2207	442	59678	100	91
280	313	53.0	49.0	2536	507	71042	100	90
290	323	53.0	49.0	2632	525	76103	100	90
300	333	53.0	49.0	2704	542	81338	100	90
320	360	65.0	59.0	3492	697	111504	100	89
340	380	65.0	59.0	3672	740	125870	100	89
360	400	65.0	59.0	3858	784	141106	100	90
380	420	65.0	59.0	4069	828	157235	100	90
400	440	65.0	59.0	4256	871	174213	100	91
420	460	65.0	59.0	4444	915	192085	100	91
440	480	65.0	59.0	4634	958	210805	100	92
450	490	65.0	59.0	4725	998	224500	100	91
480	520	65.0	59.0	5066	1070	256000	100	90
500	540	65.0	59.0	5390	1110	278000	100	92

* Split edition available upon request.