

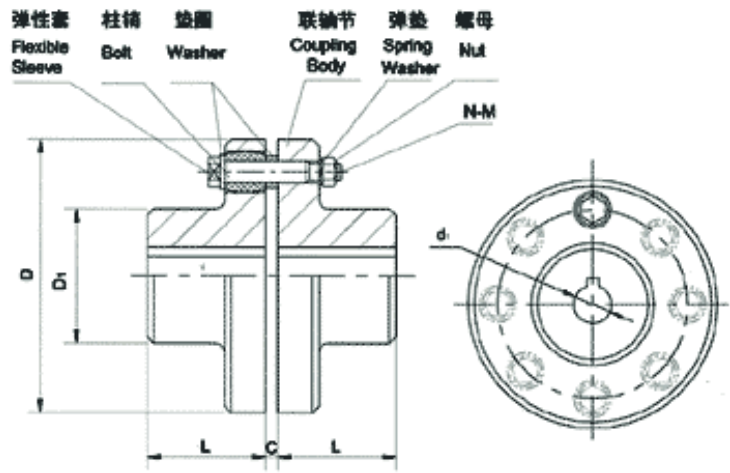
FCL Couplings

FCL Flexible Couplings is widely used, owing to its advantages: compact designing, easy installation, convenient maintenance, small size and light weight. As long as the relative displacement between shafts is kept within the specified tolerance, B couplings will operate the best function and have a longer working life. Thus it is greatly demanded in medium and minor power transmission systems driven by motors, such as speed reducers, hoists, compressors, conveyers, spinning and weaving machines and ball mills.

Permittable relative displacement:

Radial displacement: 0.2~0.6mm

Angle displacement: 0°30'~1°30'



Type	Max torque N.m	Max speed r/min	D	D ₁	d ₁	L	C	n-M	Weight kg
FCL90	4	4000	90	35.5	11	28	3	4-M8×50	1.7
FCL100	10	4000	100	40	11	35.5	3	4-M10×56	2.3
FCL112	16	4000	112	45	13	40	3	4-M10×56	2.8
FCL125	25	4000	125	50	13	45	3	4-M12×64	4.0
FCL140	50	4000	140	63	13	50	3	6-M12×64	5.4
FCL160	110	4000	160	80	15	56	3	8-M12×64	8.0
FCL180	157	3500	180	90	15	63	3	8-M12×64	10.5
FCL200	245	3200	200	100	21	71	4	8-M20×85	16.2
FCL224	392	2850	224	112	21	80	4	8-M20×85	21.3
FCL250	618	2550	250	125	25	90	4	8-M24×110	31.6
FCL280	980	2300	280	140	34	100	4	8-M24×116	44.0
FCL315	1568	2050	315	160	41	112	4	10-M24×116	57.7
FCL355	2450	1800	355	180	60	125	5	8-M30×50	89.5
FCL400	3920	1600	400	200	60	125	5	10-M30×150	113
FCL450	6174	1400	450	224	65	140	5	12-M30×150	145
FCL560	9800	1150	560	250	85	160	5	14-M30×150	229
FCL630	15680	1000	630	280	95	180	5	18-M30×150	296