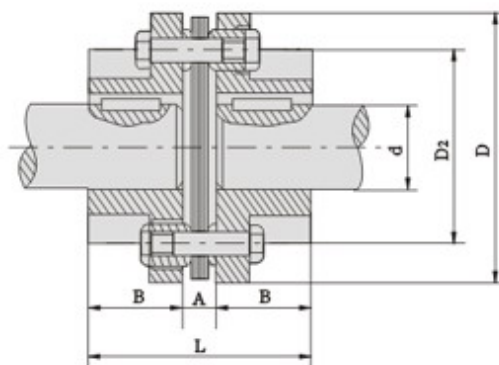


DJM Disc Coupling



Part NO.	Nominal Torque N.M	Rev Limit rpm	Weight kg	kg.cm2	d _{max} mm	D mm	A mm	B mm	L mm	J mm	Compensation	
											Axial mm	Angular
DJM 00	9.8	20000	0.14	1.74	20	57	4.9	20	44.9	10	±0.8	1°
DJM 01	33	20000	0.6	8	22	68	6.1	26	58.1	13	±0.8	1°
DJM 02	90	20000	1.1	24	32	81	6.6	26	58.6	16	±1.0	1°
DJM 03	173	18000	1.7	48	35	93	8.4	29	66.4	22	±1.2	1°
DJM 04	245	15000	2.5	80	42	104	11.2	34	79.2	20	±1.4	1°
DJM 05	420	13000	4.3	224	50	126	11.7	42	95.7	25	±1.6	45'
DJM 06	772	12000	6.9	440	60	143	11.7	48	107.7	28	±1.8	45'
DJM 07	1270	10000	11.3	1080	75	168	16.8	58	132.8	23	±2.0	45'
DJM 08	2080	10000	16.7	2080	82	194	17.0	64	145	30	±2.2	45'
DJM 09	3328	9000	22.7	3520	95	214	21.6	77	175.6	22	±2.4	45'
DJM 10	4900	8000	35.4	7200	108	246	23.9	89	201.9	23	±2.6	45'
DJM 11	6368	8000	52.0	12800	118	276	27.2	102	231.2	40	±2.8	45'
DJM 12	8900	6300	57.2	14400	110	276	17.5	128	273.5		±1.8	30'
DJM 13	15280	5000	77.3	22200	135	308	19.0	160	339		±2.0	30'
DJM 14	25410	4700	123	40800	155	346	21.5	182	385.5		±2.0	30'
DJM 15	37130	4300	156	64800	165	375	24.0	198	420		±2.0	30'
DJM 16	47120	3900	191	100200	180	410	29.5	214	457.5		±2.2	30'
DJM 17	57000	3500	245	150000	190	445	29.5	225	479.5		±2.2	30'
DJM 18	63186	3500	329	186600	205	470	31.0	248	527		±2.4	30'
DJM 19	82590	3200	394	288000	230	512	32.0	278	588		±2.4	30'
DJM 20	102100	2800	530	448200	255	556	32.5	305	642.5		±2.5	30'
DJM 21	126070	2450	619	609600	265	588	34.0	318	670		±2.7	30'
DJM 22	146350	2150	683	831600	275	630	34.5	332	698.5		±2.8	30'
DJM 23	173830	2000	791	1070400	290	655	35.5	348	731.5		±3.0	30'

Notes: 1, Hub Material C45 Steel; Disc Material: Stainless Steel

2, Surface treatment: Black Oxide

3, Bore can be pilot bore and finished bore with keyway.