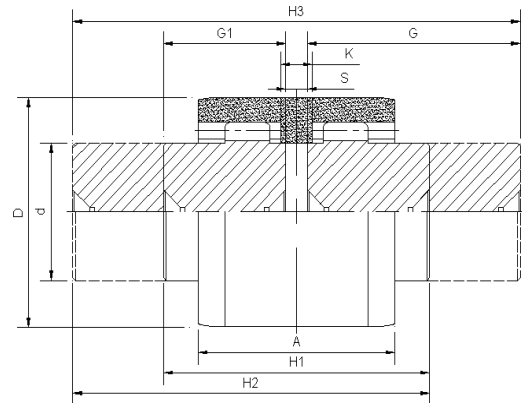




**Curved Teeth Gear Couplings with Nylon sleeve**



**Tooth Specification:**

Code	Mod.	Z	Pressure angle	De	Dp	Tooth Width
SG-14	1.5	20	20°	33	30	8
SG-19	1.5	24	20°	39	36	8
SG-24	1.5	28	20°	45	42	8
SG-28	1.5	34	20°	54	51	10
SG-32	1.5	40	20°	63	60	10
SG-38	1.5	44	20°	69	66	12
SG-42	1.5	50	20°	78	75	14
SG-48	1.5	50	20°	78	75	14
SG-55	2	45	20°	94	90	16
SG-65	2.5	42	20°	110	105	20

**Code Explanation:**

Example

SG-14-CC = with 2 short hubs

SG-14-LC = Hub long – short

SG-14-LL = Hub long – long

**Coupling Specification:**

Code	Bore		Dimensions (mm)										Weight (kg)		
	Min	Max	A	d	G	G1	D	S	K	H1	H2	H3	Short hub	Long hub	Nylon sleeve
SG-14	6	14	37	24	40	23	40	4	6	50	67	84	0.09	0.15	0.02
SG-19	8	19	37	30	40	25	48	4	6	54	69	84	0.15	0.23	0.03
SG-24	10	24	41	36	50	26	52	4	8	56	80	104	0.21	0.40	0.04
SG-28	10	28	46	44	55	40	66	4	9	84	99	114	0.48	0.66	0.07
SG-32	12	32	48	50	55	40	76	4	9	84	99	114	0.63	0.86	0.09
SG-38	14	38	48	58	60	40	83	4	9	84	104	124	0.83	1.25	0.11
SG-42	20	42	50	65	60	42	92	4	9	88	106	124	1.11	1.58	0.14
SG-48	20	48	50	67	60	50	95	4	9	88	106	124	1.37	1.65	0.16
SG-55	25	55	58	82	65	52	114	4	10	108	121	134	2.12	2.66	0.26
SG-65	25	65	68	95	70	55	132	4	12	114	129	144	3.07	3.92	0.39

Assembly distances on request; Finished bore in compliance with ISO Standards, H7 tolerance; Keyway to DIN 6885, JS9 tolerance. Bore for screws.