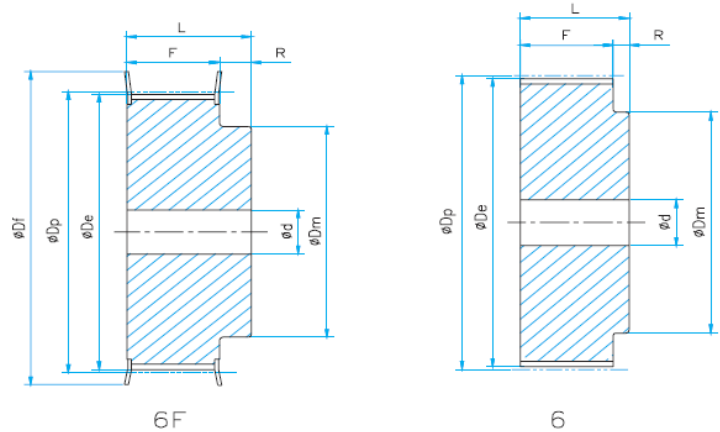


Timing Pulley

21AT5

AT 5mm Pitch, for 10mm belt width



*All dimensions are mm

Part No.	Teeth No.	Config.	Material	Dp	De	Df	Hub Dia. Dm	Width F	Length L	Bore d	Flange Dimension
21AT5-12-2	12	6F	Alu.	19.25	17.85	23	11	15	21	-	23x12.5x1.0
21AT5-14-2	14	6F	Alu.	22.45	21.05	25	14	15	21	-	25x15x1.0
21AT5-15-2	15	6F	Alu.	24.05	22.65	28	16	15	21	-	28x17.8x1.0
21AT5-16-2	16	6F	Alu.	25.60	24.20	32	18	15	21	-	32x20x1.0
21AT5-18-2	18	6F	Alu.	28.80	27.40	32	20	15	21	-	32x23x1.0
21AT5-19-2	19	6F	Alu.	30.40	29.00	36	22	15	21	-	36x25x1.0
21AT5-20-2	20	6F	Alu.	32.00	30.60	36	23	15	21	-	36x25x1.0
21AT5-22-2	22	6F	Alu.	35.25	33.85	38	24	15	21	-	38x26.5x1.0
21AT5-24-2	24	6F	Alu.	38.40	37.00	42	26	15	21	-	42x30.5x1.0
21AT5-25-2	25	6F	Alu.	39.95	38.60	44	26	15	21	-	44x32.5x1.0
21AT5-26-2	26	6F	Alu.	41.60	40.20	44	26	15	21	-	44x32.5x1.0
21AT5-27-2	27	6F	Alu.	43.20	41.80	48	30	15	21	8	48x37x1.0
21AT5-28-2	28	6F	Alu.	44.75	43.35	48	32	15	21	8	48x37x1.0
21AT5-30-2	30	6F	Alu.	47.95	46.55	51	34	15	21	8	51x40x1.0
21AT5-32-2	32	6F	Alu.	51.10	49.70	54	38	15	21	8	54x43x1.0
21AT5-36-2	36	6F	Alu.	57.45	56.05	64	38	15	21	8	64x47x1.0
21AT5-40-2	40	6F	Alu.	63.85	62.45	66.5	40	15	21	8	66.5x52x1.0
21AT5-42-2	42	6F	Alu.	67	65.60	70	40	15	21	8	70x53x1.0
21AT5-44-0	44	6	Alu.	70.20	68.80	-	45	15	21	8	-
21AT5-48-0	48	6	Alu.	76.55	75.15	-	50	15	21	8	-
21AT5-60-0	60	6	Alu.	95.65	94.25	-	65	15	21	8	-

Note: 1, Setscrew hole available with request;

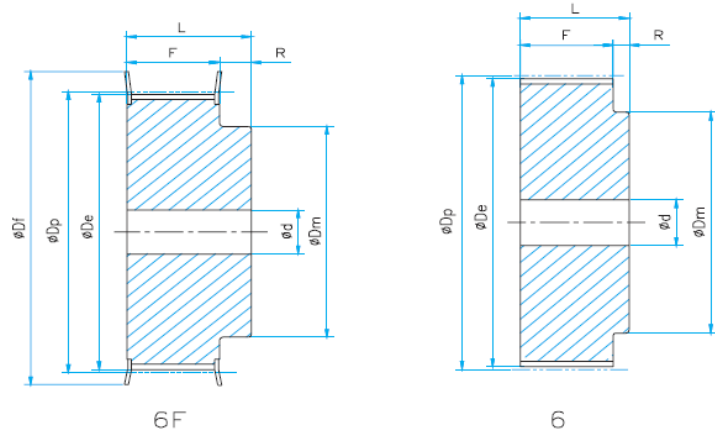
2, Center hole provided if there is no bore size listed;

3, Flange dimension: O.D.x I.D.x Thickness.

Timing Pulley

27AT5

AT 5mm Pitch, for 16mm belt width



*All dimensions are mm

Part No.	Teeth No.	Config.	Material	Dp	De	Df	Hub Dia. Dm	Width F	Length L	Bore d	Flange Dimension
27AT5-12-2	12	6F	Alu.	19.25	17.85	23	11	21	27	-	23x12.5x1.0
27AT5-14-2	14	6F	Alu.	22.45	21.05	25	14	21	27	-	25x15x1.0
27AT5-15-2	15	6F	Alu.	24.05	22.65	28	16	21	27	-	28x17.8x1.0
27AT5-16-2	16	6F	Alu.	25.60	24.20	32	18	21	27	-	32x20x1.0
27AT5-18-2	18	6F	Alu.	28.80	27.40	32	20	21	27	-	32x23x1.0
27AT5-19-2	19	6F	Alu.	30.40	29.00	36	22	21	27	-	36x25x1.0
27AT5-20-2	20	6F	Alu.	32.00	30.60	36	23	21	27	-	36x25x1.0
27AT5-22-2	22	6F	Alu.	35.25	33.85	38	24	21	27	-	38x26.5x1.0
21AT5-24-2	24	6F	Alu.	38.40	37.00	42	26	21	27	-	42x30.5x1.0
27AT5-25-2	25	6F	Alu.	39.95	38.60	44	26	21	27	-	44x32.5x1.0
27AT5-26-2	26	6F	Alu.	41.60	40.20	44	26	21	27	-	44x32.5x1.0
27AT5-27-2	27	6F	Alu.	43.20	41.80	48	30	21	27	8	48x37x1.0
27AT5-28-2	28	6F	Alu.	44.75	43.35	48	32	21	27	8	48x37x1.0
27AT5-30-2	30	6F	Alu.	47.95	46.55	51	34	21	27	8	51x40x1.0
27AT5-32-2	32	6F	Alu.	51.10	49.70	54	38	21	27	8	54x43x1.0
27AT5-36-2	36	6F	Alu.	57.45	56.05	64	38	21	27	8	64x47x1.0
27AT5-40-2	40	6F	Alu.	63.85	62.45	66.5	40	21	27	8	66.5x52x1.0
27AT5-42-2	42	6F	Alu.	67	65.60	70	40	21	27	8	70x53x1.0
27AT5-44-0	44	6	Alu.	70.20	68.80	-	45	21	27	8	-
27AT5-48-0	48	6	Alu.	76.55	75.15	-	50	21	27	8	-
27AT5-60-0	60	6	Alu.	95.65	94.25	-	65	21	27	8	-

Note: 1, Setscrew hole available with request;

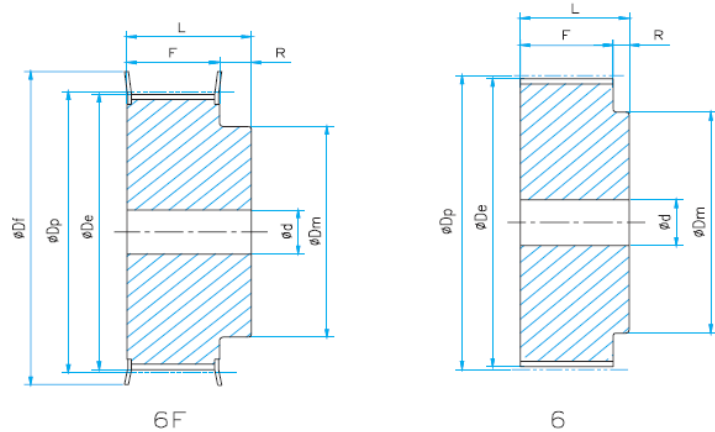
2, Center hole provided if there is no bore size listed;

3, Flange dimension: O.D.x I.D.x Thickness.

Timing Pulley

36AT5

AT 5mm Pitch, for 25mm belt width



*All dimensions are mm

Part No.	Teeth No.	Config.	Material	Dp	De	Df	Hub Dia. Dm	Width F	Length L	Bore d	Flange Dimension
36AT5-12-2	12	6F	Alu.	19.25	17.85	23	11	30	36	-	23x12.5x1.0
36AT5-14-2	14	6F	Alu.	22.45	21.05	25	14	30	36	-	25x15x1.0
36AT5-15-2	15	6F	Alu.	24.05	22.65	28	16	30	36	-	28x17.8x1.0
36AT5-16-2	16	6F	Alu.	25.60	24.20	32	18	30	36	-	32x20x1.0
36AT5-18-2	18	6F	Alu.	28.80	27.40	32	20	30	36	-	32x23x1.0
36AT5-19-2	19	6F	Alu.	30.40	29.00	36	22	30	36	-	36x25x1.0
36AT5-20-2	20	6F	Alu.	32.00	30.60	36	23	30	36	-	36x25x1.0
36AT5-22-2	22	6F	Alu.	35.25	33.85	38	24	30	36	-	38x26.5x1.0
36AT5-24-2	24	6F	Alu.	38.40	37.00	42	26	30	36	-	42x30.5x1.0
36AT5-25-2	25	6F	Alu.	39.95	38.60	44	26	30	36	-	44x32.5x1.0
36AT5-26-2	26	6F	Alu.	41.60	40.20	44	26	30	36	-	44x32.5x1.0
36AT5-27-2	27	6F	Alu.	43.20	41.80	48	30	30	36	8	48x37x1.0
36AT5-28-2	28	6F	Alu.	44.75	43.35	48	32	30	36	8	48x37x1.0
36AT5-30-2	30	6F	Alu.	47.95	46.55	51	34	30	36	8	51x40x1.0
36AT5-32-2	32	6F	Alu.	51.10	49.70	54	38	30	36	8	54x43x1.0
36AT5-36-2	36	6F	Alu.	57.45	56.05	64	38	30	36	8	64x47x1.0
36AT5-40-2	40	6F	Alu.	63.85	62.45	66.5	40	30	36	8	66.5x52x1.0
36AT5-42-2	42	6F	Alu.	67	65.60	70	40	30	36	8	70x53x1.0
36AT5-44-0	44	6	Alu.	70.20	68.80	-	45	30	36	8	-
36AT5-48-0	48	6	Alu.	76.55	75.15	-	50	30	36	8	-
36AT5-60-0	60	6	Alu.	95.65	94.25	-	65	30	36	8	-

Note: 1, Setscrew hole available with request;

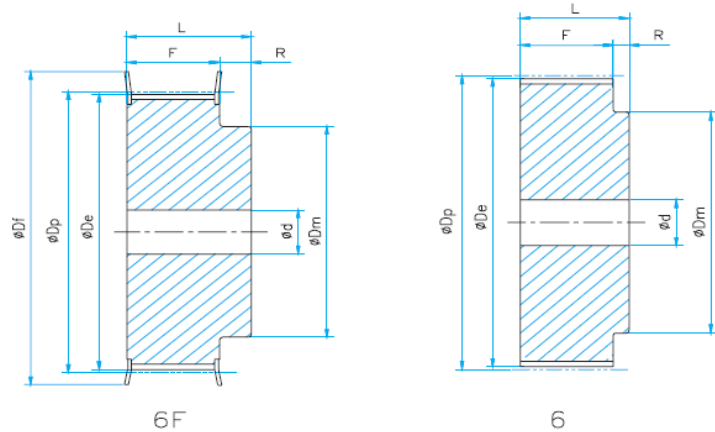
2, Center hole provided if there is no bore size listed;

3, Flange dimension: O.D.x I.D.x Thickness.

Timing Pulley

31AT10

AT 10mm Pitch, for 16mm belt width



*All dimensions are mm

Part No.	Teeth No.	Config.	Material	Dp	De	Df	Hub Dia. Dm	Width F	Length L	Bore d	Flange Dimension
31AT10-15-2	15	6F	Alu.	47.90	45.90	51	32	21	31	8	51x40x1.0
31AT10-16-2	16	6F	Alu.	51.05	49.05	54	35	21	31	8	54x43x1.0
31AT10-18-2	18	6F	Alu.	57.45	55.45	60	40	21	31	8	60x47x1.0
31AT10-19-2	19	6F	Alu.	60.60	58.60	66	44	21	31	8	66.5x52x1.0
31AT10-20-2	20	6F	Alu.	63.80	61.80	66	46	21	31	8	66.5x52x1.0
31AT10-22-2	22	6F	Alu.	70.15	68.15	75	52	21	31	8	75x60x1.0
31AT10-24-2	24	6F	Alu.	76.55	74.55	83	58	21	31	8	83x68x1.0
31AT10-25-2	25	6F	Alu.	79.70	77.70	83	60	21	31	8	83x68x1.0
31AT10-26-2	26	6F	Alu.	82.90	80.90	87	60	21	31	8	87x72x1.0
31AT10-27-2	27	6F	Alu.	86.10	84.10	91	60	21	31	8	91x76x1.0
31AT10-28-2	28	6F	Alu.	89.25	87.25	93	60	21	31	8	93x80x1.0
31AT10-30-2	30	6F	Alu.	95.65	93.65	97	60	21	31	8	97x83x1.0
31AT10-32-2	32	6F	Alu.	102.00	100.00	106	65	21	31	10	106x90x1.0
31AT10-36-2	36	6F	Alu.	114.75	112.75	119	70	21	31	10	119x103x1.0
31AT10-40-2	40	6F	Alu.	127.45	125.45	131	80	21	31	10	131x115x1.0
31AT10-44-0	44	6	Alu.	140.20	138.20	-	88	21	31	10	-
31AT10-48-0	48	6	Alu.	152.95	150.95	-	95	21	31	16	-
31AT10-60-0	60	6	Alu.	191.10	189.10	-	110	21	31	16	-

Note: 1, Setscrew hole available with request;

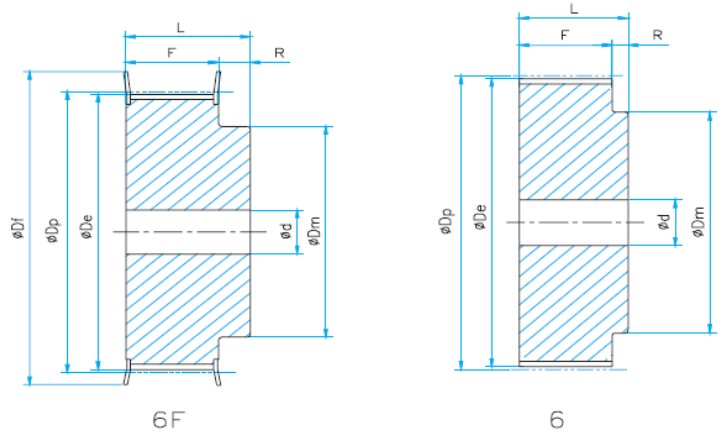
2, Center hole provided if there is no bore size listed;

3, Flange dimension: O.D.x I.D.x Thickness.

Timing Pulley

40AT10

AT 10mm Pitch, for 25mm belt width



*All dimensions are mm

Part No.	Teeth No.	Config.	Material	Dp	De	Df	Hub Dia. Dm	Width F	Length L	Bore d	Flange Dimension
40AT10-15-2	15	6F	Alu.	47.90	45.90	51	32	30	40	8	51x40x1.0
40AT10-16-2	16	6F	Alu.	51.05	49.05	54	35	30	40	8	54x43x1.0
40AT10-18-2	18	6F	Alu.	57.45	55.45	60	40	30	40	8	60x47x1.0
40AT10-19-2	19	6F	Alu.	60.60	58.60	66	44	30	40	8	66.5x52x1.0
40AT10-20-2	20	6F	Alu.	63.80	61.80	66	46	30	40	8	66.5x52x1.0
40AT10-22-2	22	6F	Alu.	70.15	68.15	75	52	30	40	8	75x60x1.0
40AT10-24-2	24	6F	Alu.	76.55	74.55	83	58	30	40	8	83x68x1.0
40AT10-25-2	25	6F	Alu.	79.70	77.70	83	60	30	40	8	83x68x1.0
40AT10-26-2	26	6F	Alu.	82.90	80.90	87	60	30	40	8	87x72x1.0
40AT10-27-2	27	6F	Alu.	86.10	84.10	91	60	30	40	8	91x76x1.0
40AT10-28-2	28	6F	Alu.	89.25	87.25	93	60	30	40	8	93x80x1.0
40AT10-30-2	30	6F	Alu.	95.65	93.65	97	60	30	40	8	97x83x1.0
40AT10-32-2	32	6F	Alu.	102.00	100.00	106	65	30	40	10	106x90x1.0
40AT10-36-2	36	6F	Alu.	114.75	112.75	119	70	30	40	10	119x103x1.0
40AT10-40-2	40	6F	Alu.	127.45	125.45	131	80	30	40	10	131x115x1.0
40AT10-44-0	44	6	Alu.	140.20	138.20	-	88	30	40	10	-
40AT10-48-0	48	6	Alu.	152.95	150.95	-	95	30	40	16	-
40AT10-60-0	60	6	Alu.	191.10	189.10	-	110	30	40	16	-

Note: 1, Setscrew hole available with request;

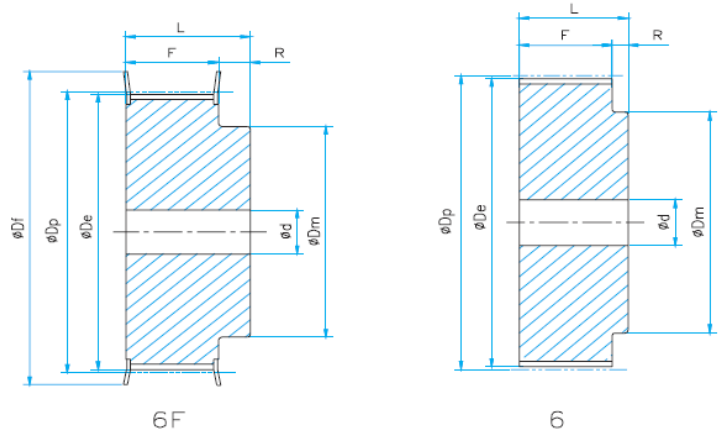
2, Center hole provided if there is no bore size listed;

3, Flange dimension: O.D.x I.D.x Thickness.

Timing Pulley

47AT10

AT 10mm Pitch, for 32mm belt width



*All dimensions are mm

Part No.	Teeth No.	Config.	Material	Dp	De	Df	Hub Dia. Dm	Width F	Length L	Bore d	Flange Dimension
47AT10-18-2	18	6F	Alu.	57.45	55.45	60	40	37	47	10	60x47x1.0
47AT10-19-2	19	6F	Alu.	60.60	58.60	66	44	37	47	10	66.5x52x1.0
47AT10-20-2	20	6F	Alu.	63.80	61.80	66	46	37	47	12	66.5x52x1.0
47AT10-22-2	22	6F	Alu.	70.15	68.15	75	52	37	47	12	75x60x1.0
47AT10-24-2	24	6F	Alu.	76.55	74.55	83	58	37	47	12	83x68x1.0
47AT10-25-2	25	6F	Alu.	79.70	77.70	83	60	37	47	12	83x68x1.0
47AT10-26-2	26	6F	Alu.	82.90	80.90	87	60	37	47	12	87x72x1.0
47AT10-27-2	27	6F	Alu.	86.10	84.10	91	60	37	47	12	91x76x1.0
47AT10-28-2	28	6F	Alu.	89.25	87.25	93	60	37	47	12	93x80x1.0
47AT10-30-2	30	6F	Alu.	95.65	93.65	97	60	37	47	12	97x83x1.0
47AT10-32-2	32	6F	Alu.	102.00	100.00	106	65	37	47	12	106x90x1.0
47AT10-36-2	36	6F	Alu.	114.75	112.75	119	70	37	47	16	119x103x1.0
47AT10-40-2	40	6F	Alu.	127.45	125.45	131	80	37	47	16	131x115x1.0
47AT10-44-0	44	6	Alu.	140.20	138.20	-	88	37	47	16	-
47AT10-48-0	48	6	Alu.	152.95	150.95	-	95	37	47	16	-
47AT10-60-0	60	6	Alu.	191.10	189.10	-	110	37	47	16	-

Note: 1, Setscrew hole available with request;

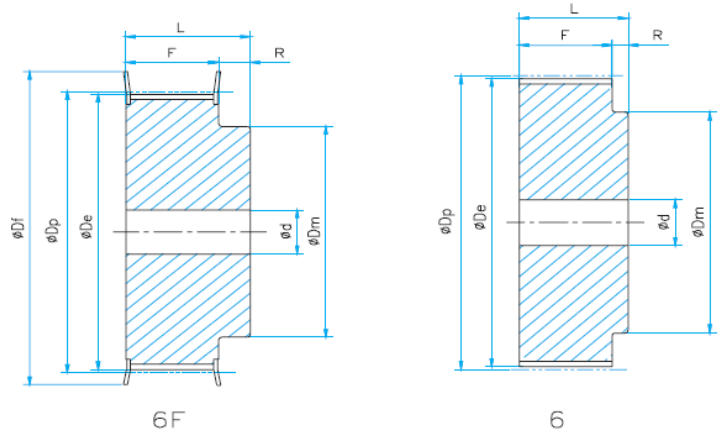
2, Center hole provided if there is no bore size listed;

3, Flange dimension: O.D.x I.D.x Thickness.

Timing Pulley

66AT10

AT 10mm Pitch, for 50mm belt width



*All dimensions are mm

Part No.	Teeth No.	Config.	Material	Dp	De	Df	Hub Dia. Dm	Width F	Length L	Bore d	Flange Dimension
66AT10-18-2	18	6F	Alu.	57.45	55.45	60	40	56	66	10	60x47x1.0
66AT10-19-2	19	6F	Alu.	60.60	58.60	66	44	56	66	10	66.5x52x1.0
66AT10-20-2	20	6F	Alu.	63.80	61.80	66	46	56	66	12	66.5x52x1.0
66AT10-22-2	22	6F	Alu.	70.15	68.15	75	52	56	66	12	75x60x1.0
66AT10-24-2	24	6F	Alu.	76.55	74.55	83	58	56	66	12	83x68x1.0
66AT10-25-2	25	6F	Alu.	79.70	77.70	83	60	56	66	12	83x68x1.0
66AT10-26-2	26	6F	Alu.	82.90	80.90	87	60	56	66	12	87x72x1.0
66AT10-27-2	27	6F	Alu.	86.10	84.10	91	60	56	66	12	91x76x1.0
66AT10-28-2	28	6F	Alu.	89.25	87.25	93	60	56	66	12	93x80x1.0
66AT10-30-2	30	6F	Alu.	95.65	93.65	97	60	56	66	12	97x83x1.0
66AT10-32-2	32	6F	Alu.	102.00	100.00	106	65	56	66	12	106x90x1.0
66AT10-36-2	36	6F	Alu.	114.75	112.75	119	70	56	66	16	119x103x1.0
66AT10-40-2	40	6F	Alu.	127.45	125.45	131	80	56	66	16	131x115x1.0
66AT10-44-0	44	6	Alu.	140.20	138.20	-	88	56	66	16	-
66AT10-48-0	48	6	Alu.	152.95	150.95	-	95	56	66	16	-
66AT10-60-0	60	6	Alu.	191.10	189.10	-	110	56	66	16	-

Note: 1, Setscrew hole available with request;

2, Center hole provided if there is no bore size listed;

3, Flange dimension: O.D.x I.D.x Thickness.